



# HC605 SINGLE AXIS CONCEALED HINGE FITTING INSTRUCTIONS

Royde and Tucker **HI-LOAD** hinges are designed for medium and high frequency use doors. In accordance with BS EN 1935, three hinges per door leaf should be fitted. **HI-LOAD** hinges are guaranteed against wear for a period of 25 years, providing they are correctly specified and fitted

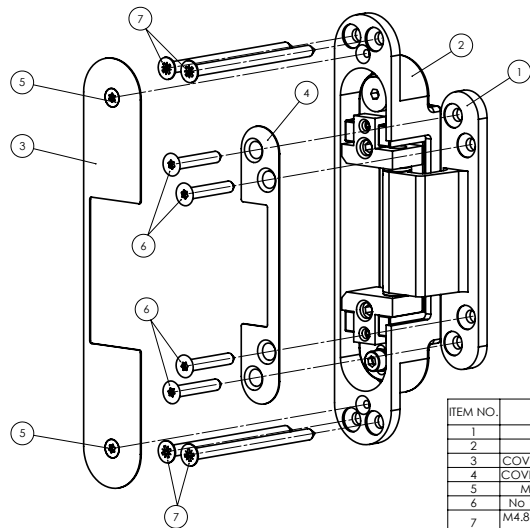
Maximum Adjusted Door Weight - Three Hinges (Kg)	Door Thickness (mm)	Model
120	44	HC605

ADJUSTED DOOR WEIGHT CALCULATION TABLE		
Actual Door Weight +	Doors of excess width: please refer to catalogue	= Adjusted Door Weight
	Door Closer +20%	
	Door Closer (Backcheck) +75%	
	Extra Heavy Use +10%	
	Light Use -10%	

### HINGE POSITIONING:

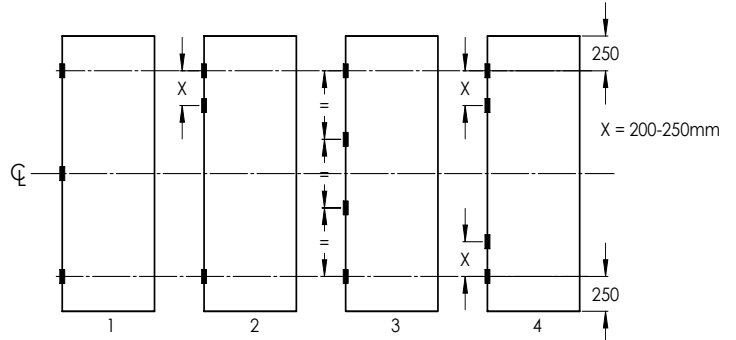
For maximum resistance to warping, position the hinges with equal spacing (Fig.1 & 3)  
 For maximum load carrying ability, fit two hinges high and one or two hinges low (Fig.2 & 4)

**NOTE:**  
 Intumescent Hinge Pad Set: **Part No: HP605-FIRE** must be used in conjunction with this hinge on both 30 and 60 minute fire doors



**PARTS:**

ITEM NO.	DESCRIPTION	QTY.
1	FRAME LEAF	1
2	DOOR LEAF	1
3	COVERPLATE - DOOR LEAF	1
4	COVERPLATE - FRAME LEAF	1
5	M4 x 6 T8 Torx Screw	2
6	No 10 X 1 1/4 SS CS PO3	4
7	M4.8 x 80mm Countersunk Pozi S/S	4



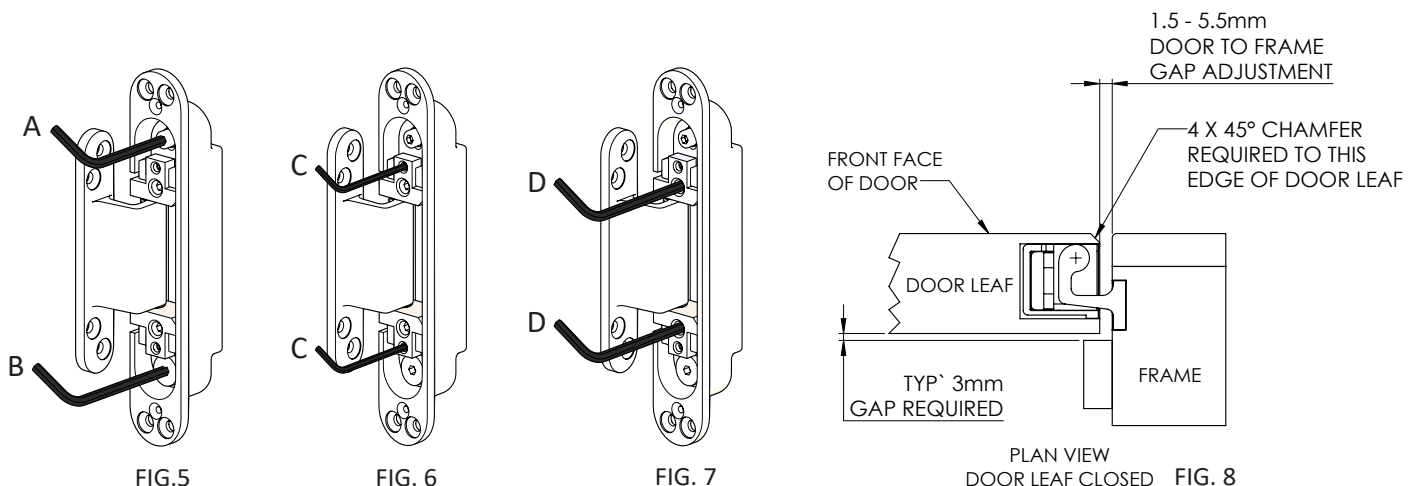
### HINGE POSITIONING:

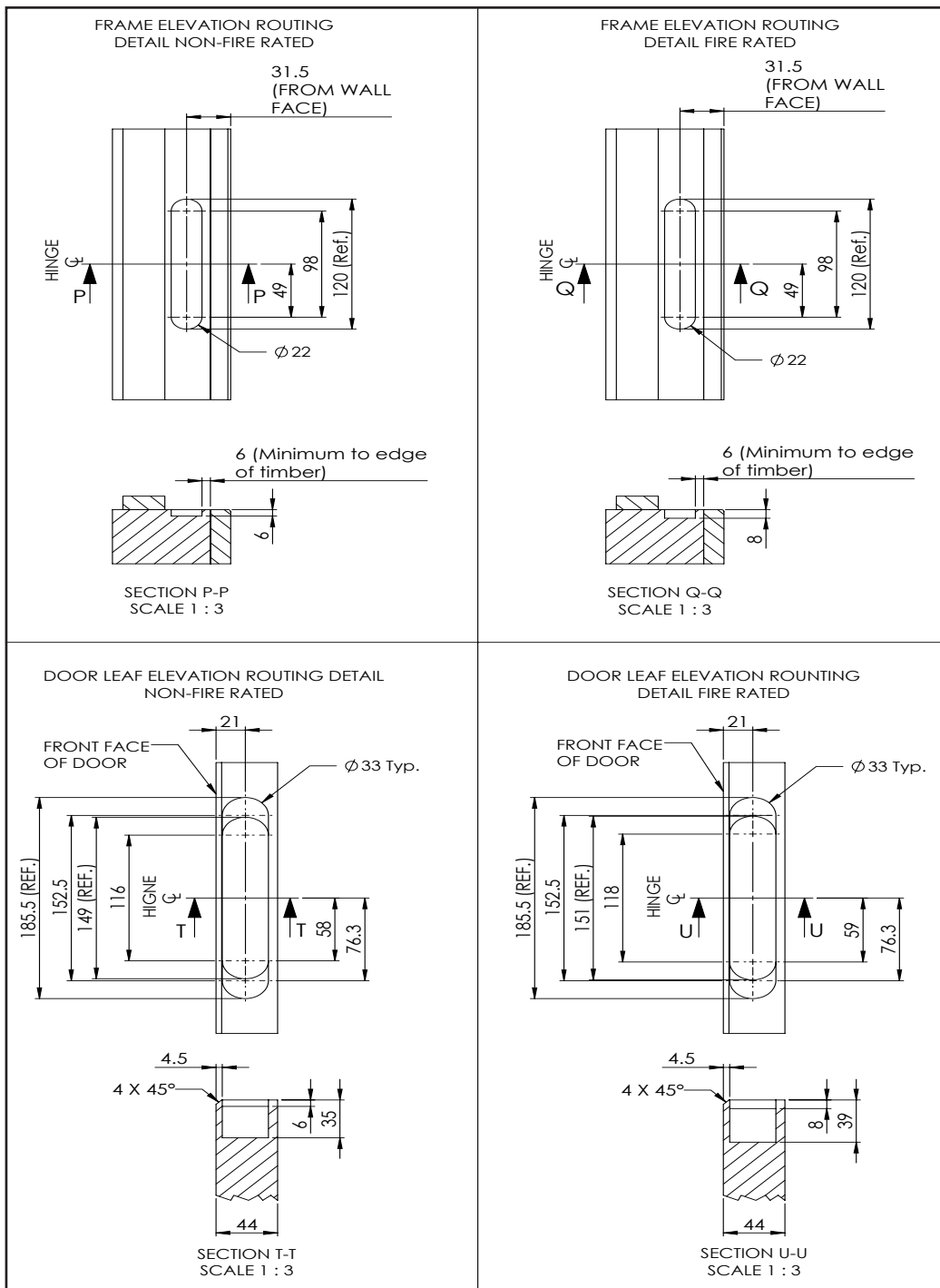
For maximum resistance to warping, position the hinges with equal spacing (image 1 & 3 above)  
 For maximum load carrying ability, fit two hinges high & one or two hinges low (image 2 & 4 above)

### HINGE ADJUSTMENT:

Within each door leaf body approximately 5mm of vertical door adjustment is possible. Using the hexagon keys provided loosen screw (A), Rotating the eccentric adjuster (B) in either direction to raise or lower the door leaf. Tightening screw (A) when adjustment is complete. (See Fig. 5)

Approximately 4mm of door to frame gap adjustment is possible. Loosen both screws (C). Adjusting both screws (D) simultaneously and uniformly, the required gap can be set. Tightening screws (C) when adjustment has been achieved. (See Fig. 6, 7, 8)





Fitting your Royde and Tucker Single Axis Concealed Hinges with a router template and jig-set will ensure that a perfectly routed shape is easily achieved in both frame and door leaf. The routing jig is designed to accept precision templates which can be fitted as required, allowing for an accurate professional installation. (Refer to the routing drawings for details)

An optional routing jig and templates are available from Royde and Tucker which must be used with the following:  
 Cutter Diameter - 12.7mm (1/2")  
 Guide Bush Diameter - 30mm

#### ROUTER JIG AND TEMPLATE SPARE PARTS

- Routing Jig Complete Assembly (Router Jig, door and frame templates - Fire & Non-Fire) - **Part No: 605-027**
- Routing Jig Top Plate Assembly (Top Plate & Spacer) - **Part No: 605-033**
- Door Leaf Flange Insert Template - **Part No: 605-028**
- Door Leaf Main Body Insert Template - **Part No: 605-029**
- Fire Rated Door Leaf Main Body Insert Template - **Part No: 605-030**
- Frame Leaf Insert Template - **Part No: 605-031**

It is recommended to route a test hinge rebate with your selection of cutter and guide bush in a scrap piece of timber