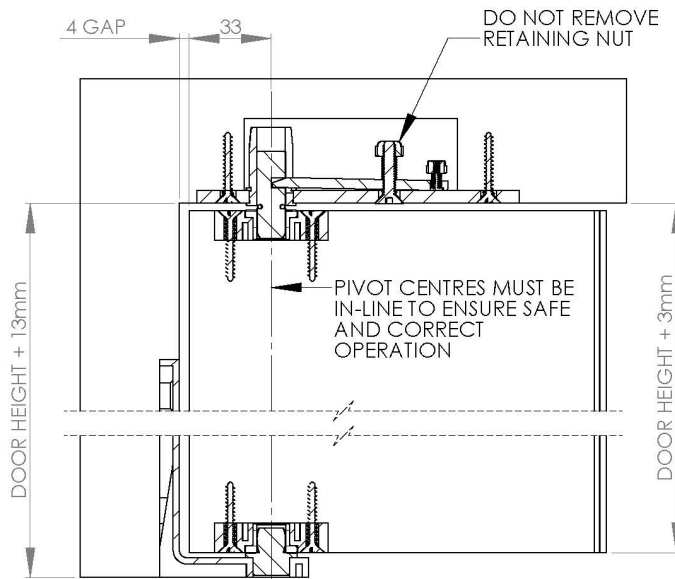


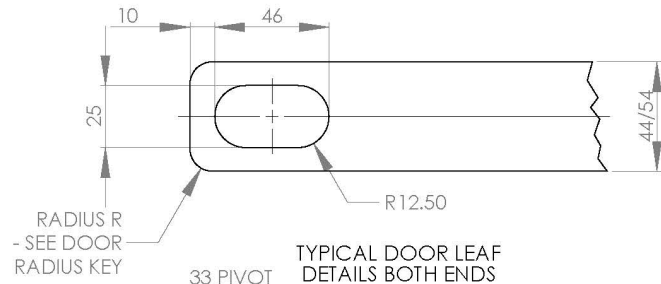
Royde & Tucker H131-400 HI-LOAD pivot set - NFR Application

- Grade 304 stainless steel
- Maintenance free, guaranteed for 25 years
- Allows the door to swing in either direction
- Medium duty for internal doors weighing up to 80kg when floor mounted and up to 1100mm wide
- Top and bottom door plates have HI-LOAD maintenance free oil impregnated bronze bearings
- Set includes door bottom pivot bracket, top centre, door mounting plates and M5 x 30mm screws
- For adjustable unit see H131-450

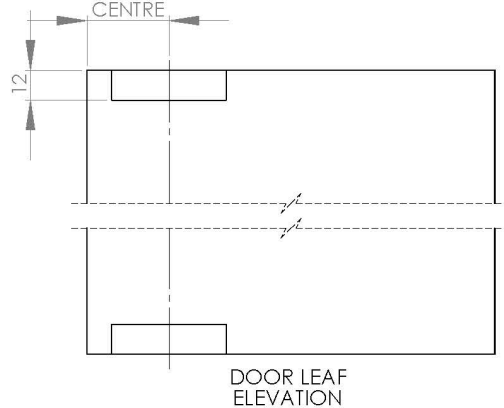
Note: Door plates radii R12.5 for easier preparation



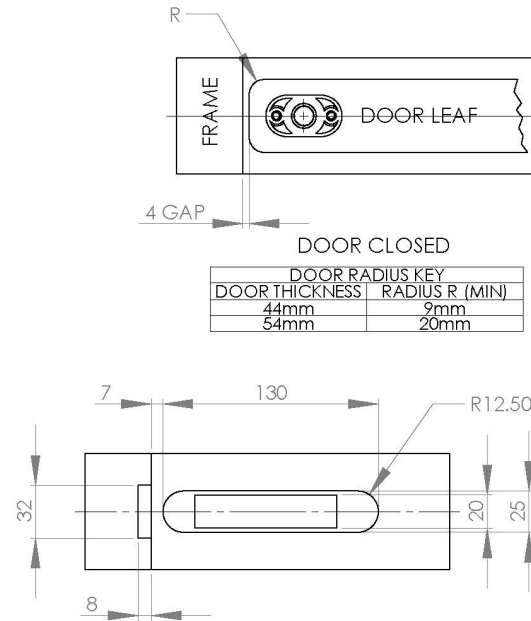
TYPICAL DOOR/FRAME SECTION



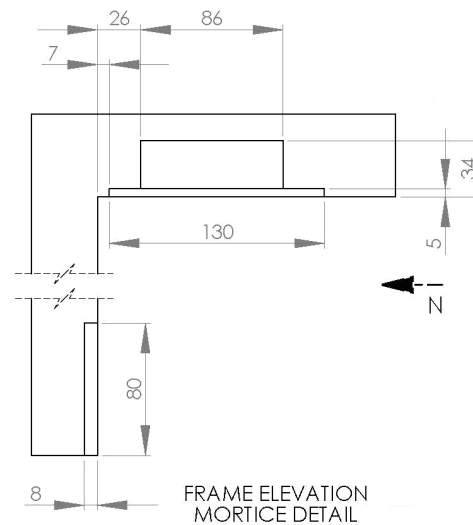
TYPICAL DOOR LEAF DETAILS BOTH ENDS



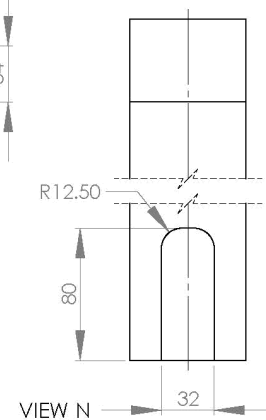
DOOR LEAF ELEVATION



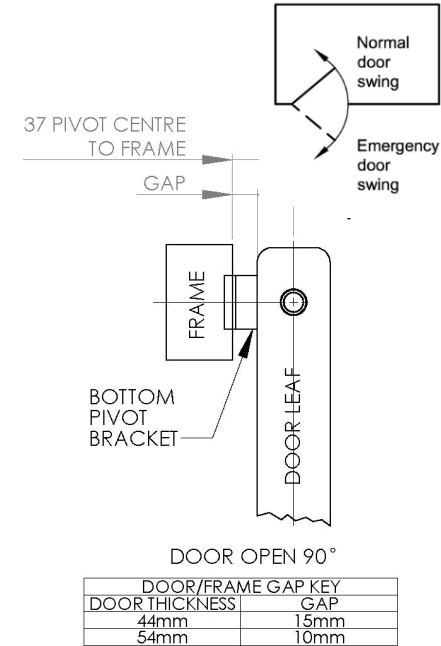
UNDERSIDE OF FRAME MORTICE DETAIL



FRAME ELEVATION MORTICE DETAIL



VIEW N



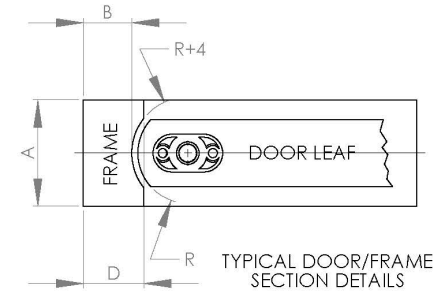
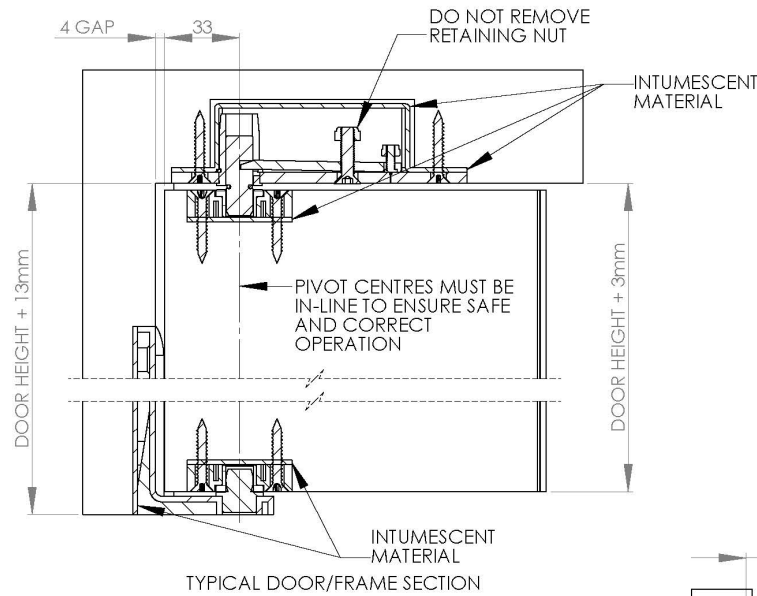
DOOR OPEN 90°

DOOR/FRAME GAP KEY	
DOOR THICKNESS	GAP
44mm	15mm
54mm	10mm

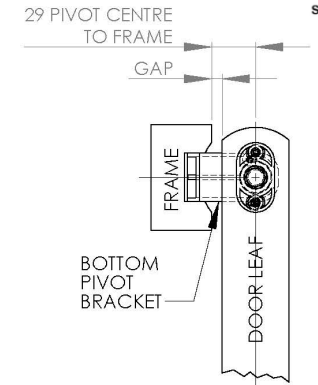
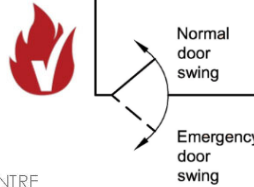
Royde & Tucker H131-400 HI-LOAD pivot set - FR Application

- Grade 304 stainless steel
- Maintenance free, guaranteed for 25 years
- Suitable for FD30 (44mm) and FD60 (54mm) doors, to BS 476 for both single and double door applications
- Allows the door to swing in either direction
- Medium duty for internal doors weighing up to 80kg when floor mounted and up to 1100mm wide
- Top and bottom door plates have HI-LOAD maintenance free oil impregnated bronze bearings
- Set includes door bottom pivot, top centre, door brackets and M5 x 30mm screws
- Intumescent pad pack HP131

Note: Door plates radii R12.5 for easier preparation

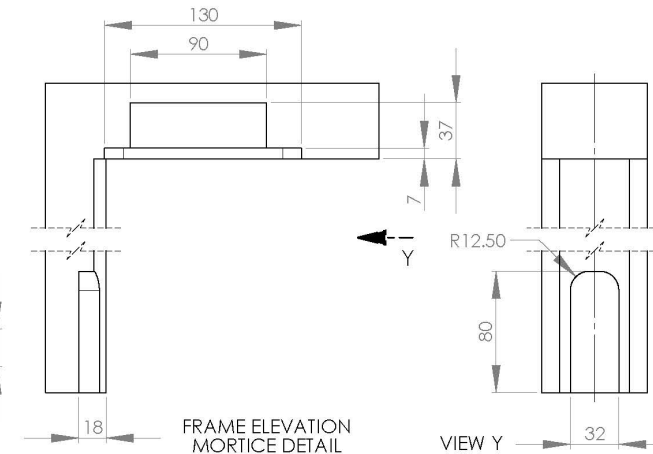
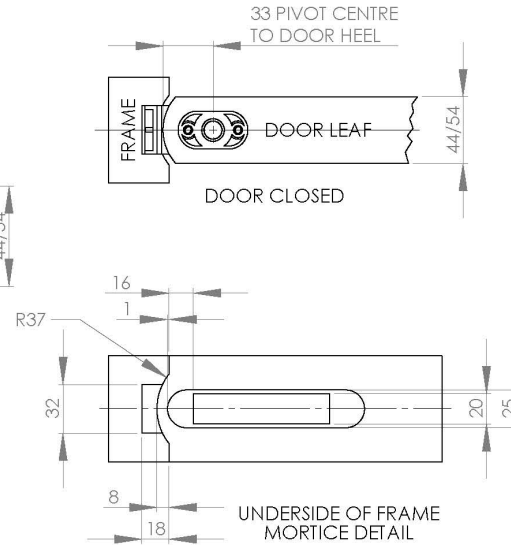
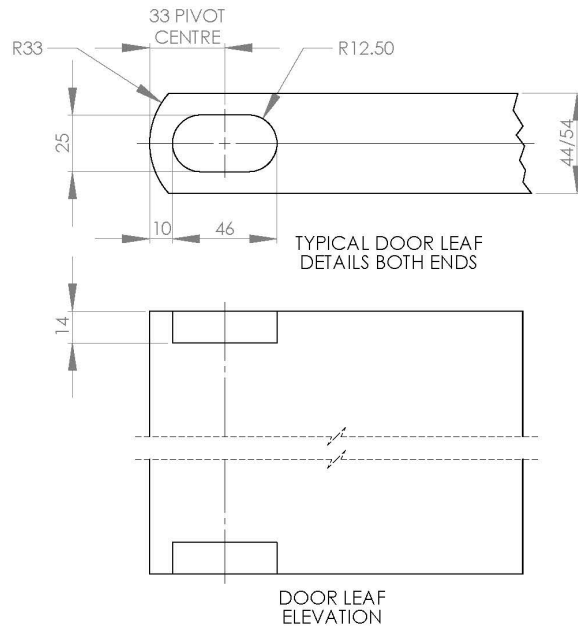


SCALLOPED FRAME DETAIL KEY	
A =	MINIMUM 70mm
B =	MINIMUM 22mm FOR HARDWOOD, 28mm FOR SOFTWOOD
D =	MINIMUM 30mm FOR HARDWOOD, 36mm FOR SOFTWOOD
R =	RADIUS FROM DOOR PIVOT



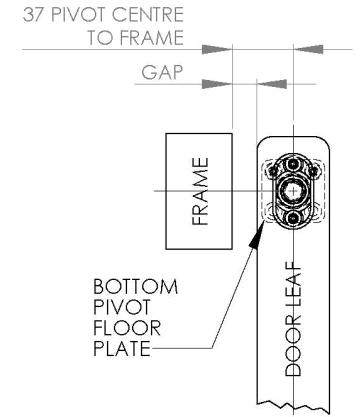
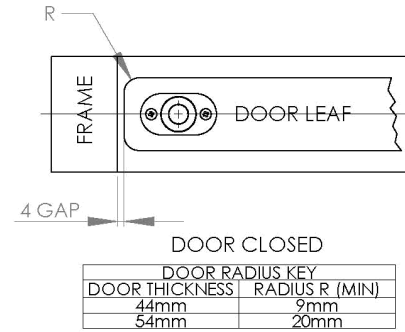
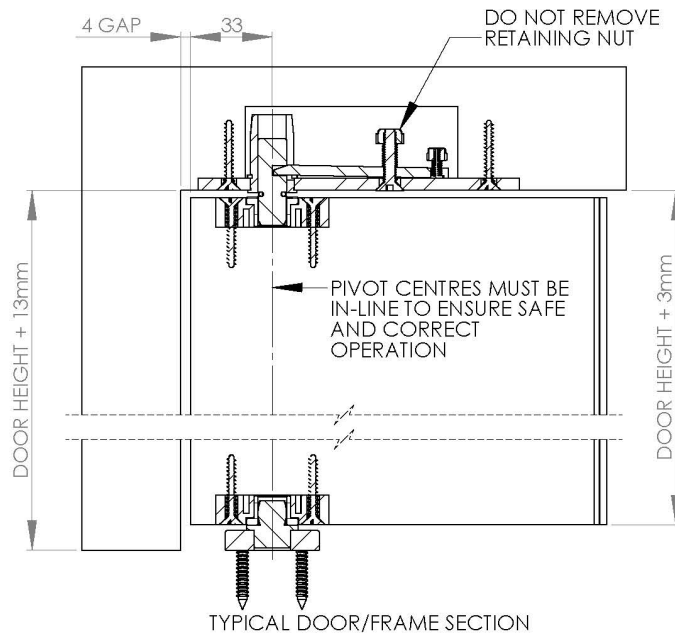
DOOR OPEN 90°

DOOR/FRAME GAP KEY	
DOOR THICKNESS	GAP
44mm	7mm
54mm	2mm

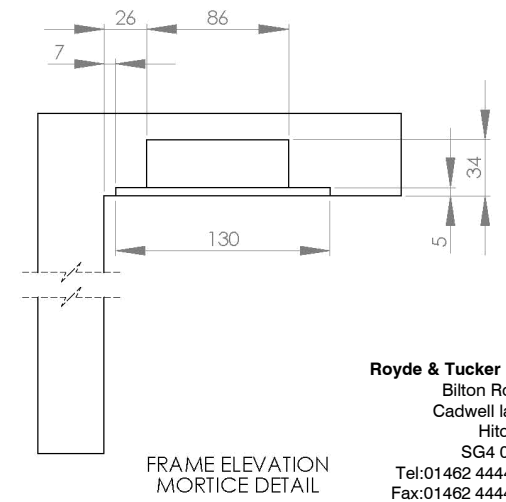
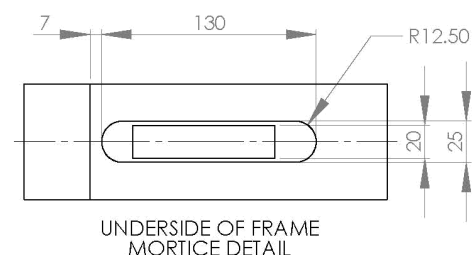
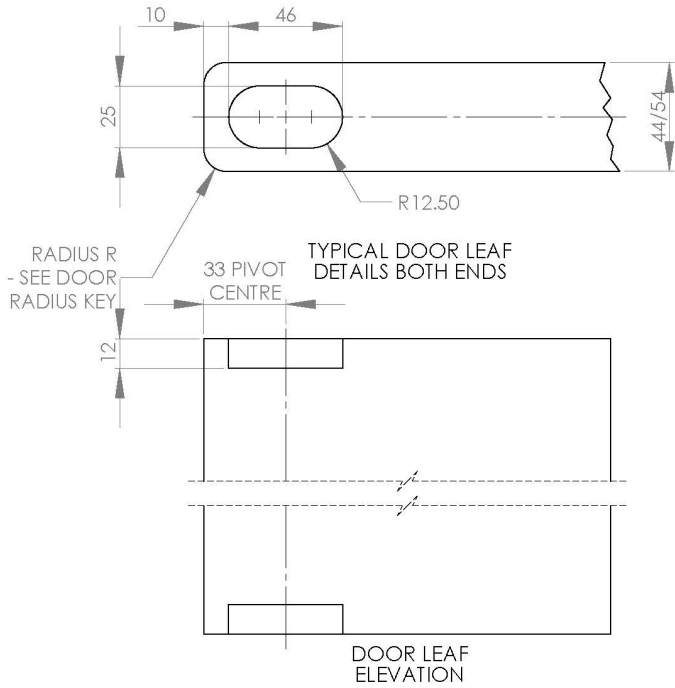


Royde & Tucker H131-402 HI-LOAD pivot set - NFR Application

- Grade 304 stainless steel
- Allows the door to swing in either direction
- Maintenance free, guaranteed for 25 years
- Bottom bracket is floor mounted and doesn't protrude beyond the doors face
- Medium duty for internal doors weighing up to 80kg and up to 1100mm wide
- Top and bottom door plates have HI-LOAD maintenance free oil impregnated bronze bearings
- Set includes door bottom pivot, top centre, door brackets and M5 x 30mm screws
- For adjustable unit see H131-452
- Note: Door plates radiused R12.5 for easier preparation



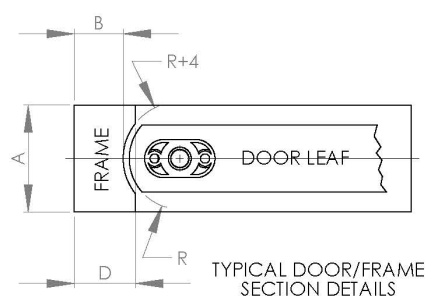
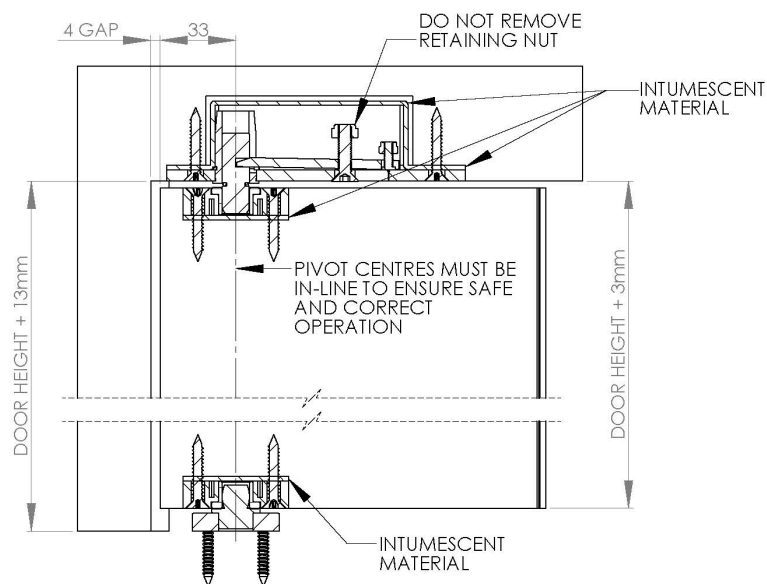
DOOR/FRAME GAP KEY	
DOOR THICKNESS	GAP
44mm	15mm
54mm	10mm



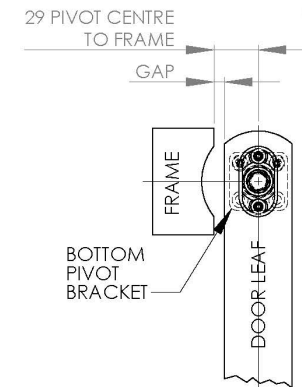
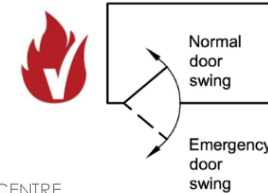
Royde & Tucker H131-402 HI-LOAD pivot set - FR Application

- Grade 304 stainless steel
- Suitable for FD30 (44mm) and FD60 (54mm) doors, to BS 476 for both single and double door applications
- Allows the door to swing in either direction
- Maintenance free, guaranteed for 25 years
- Bottom bracket is floor mounted and doesn't protrude beyond the doors face
- Medium duty for internal doors weighing up to 80kg and up to 1100mm wide
- Top and bottom door plates have HI-LOAD maintenance free oil impregnated bronze bearings
- Set includes door bottom pivot, top centre, door brackets and M5 x 30mm screws
- Intumescent pad pack HP131

- Note: Door plates radiused R12.5 for easier preparation

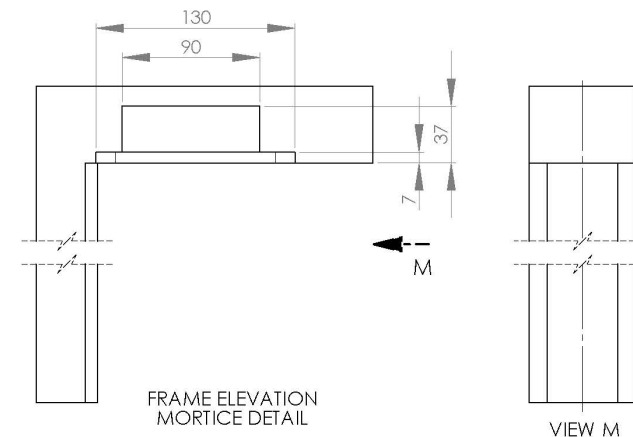
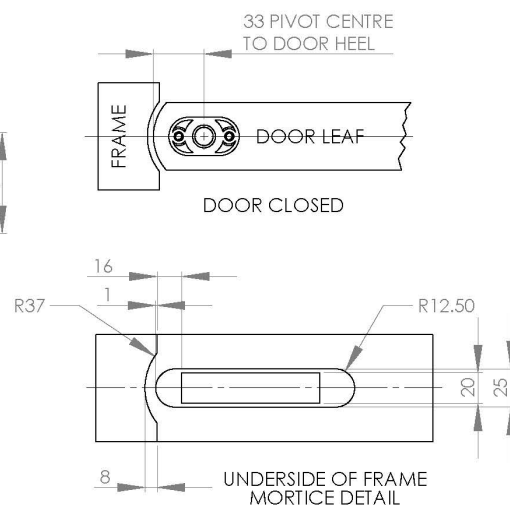
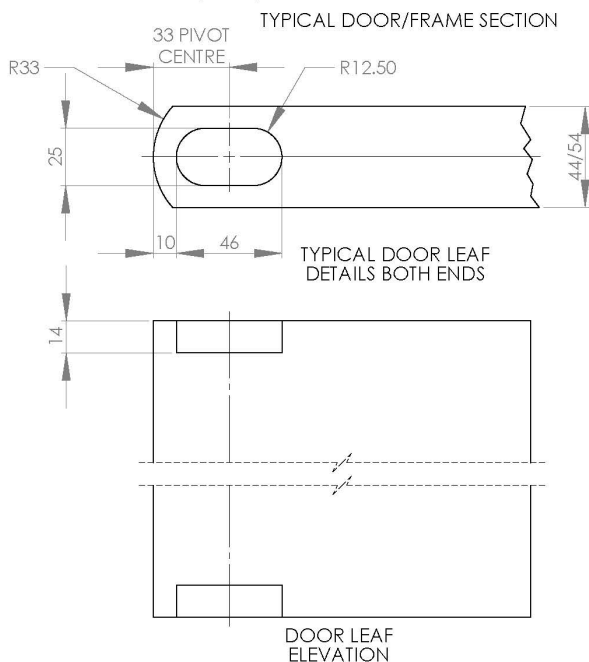


SCALLOPED FRAME DETAIL KEY	
A =	MINIMUM 70mm
B =	MINIMUM 22mm FOR HARDWOOD, 28mm FOR SOFTWOOD
D =	MINIMUM 30mm FOR HARDWOOD, 36mm FOR SOFTWOOD
R =	RADIUS FROM DOOR PIVOT



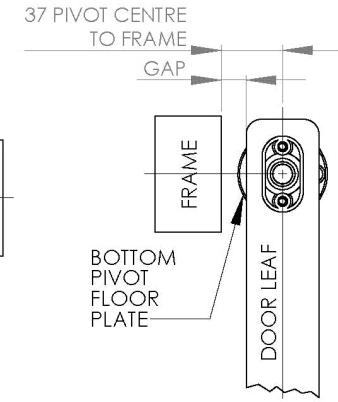
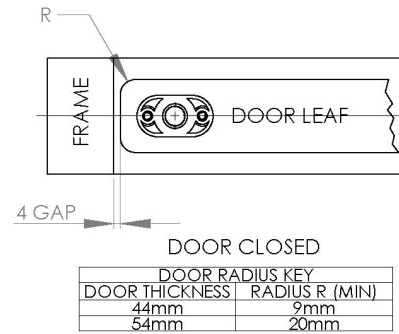
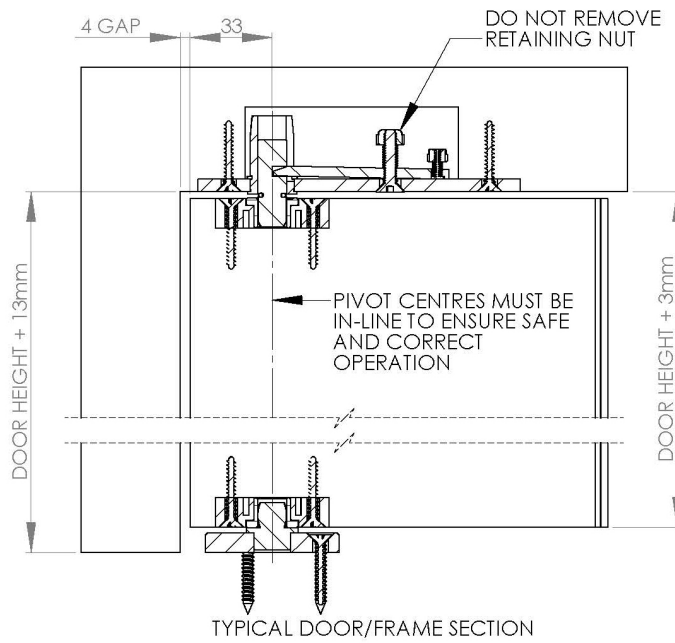
DOOR OPEN 90°

DOOR/FRAME GAP KEY	
DOOR THICKNESS	GAP
44mm	7mm
54mm	2mm



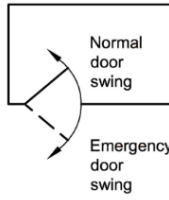
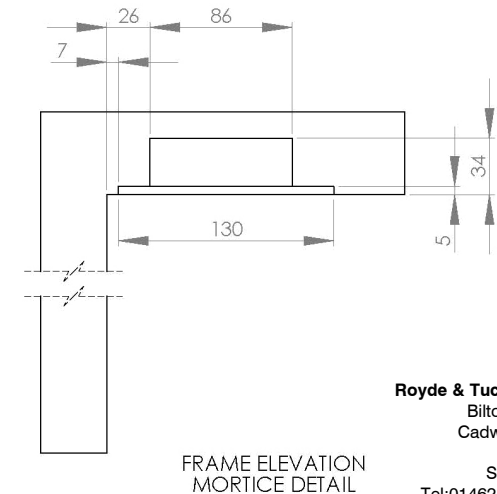
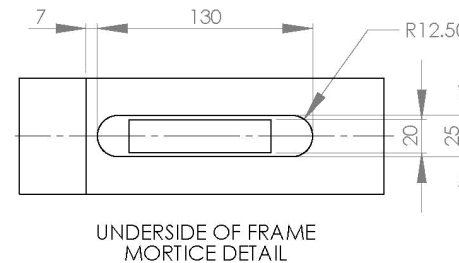
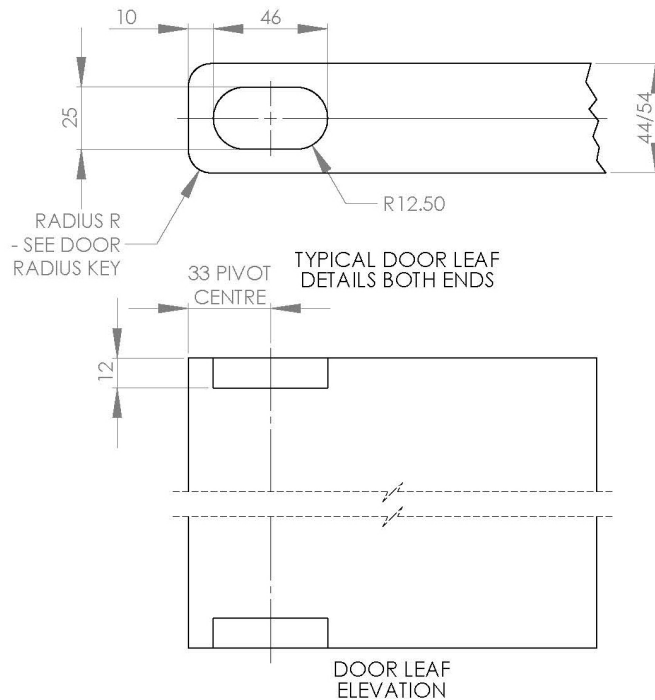
Royde & Tucker H131-401 HI-LOAD pivot set - NFR Application

- Grade 304 stainless steel
- Allows the door to swing in either direction
- Maintenance free, guaranteed for 25 years
- Bottom bracket is floor mounted
- Heavy duty for internal doors weighing up to 120kg and up to 1100mm wide
- Top and bottom door plates have HI-LOAD maintenance free oil impregnated bronze bearings
- Set includes door bottom pivot, top centre, door brackets and M5 x 30mm screws
- For adjustable unit see H131-451
- Note: Door plates radiused R12.5 for easier preparation



DOOR OPEN 90°

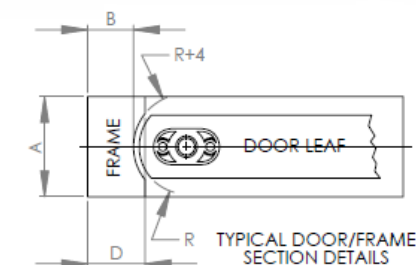
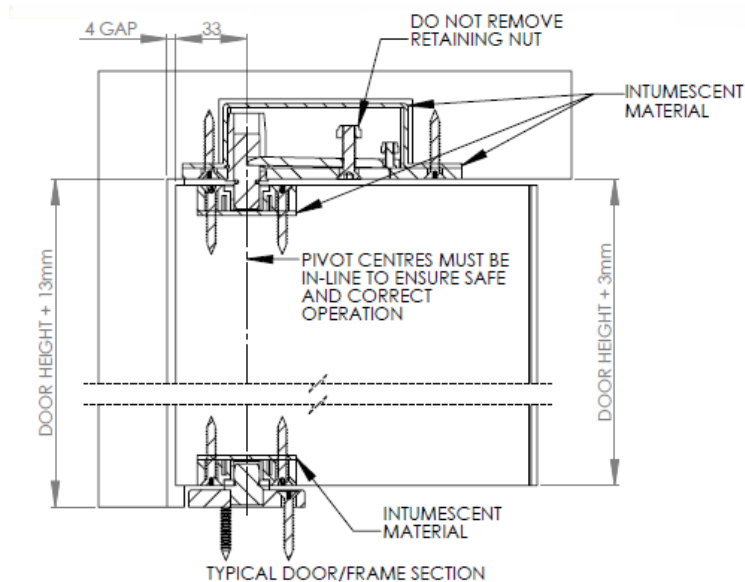
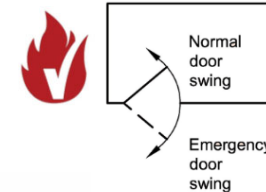
DOOR/FRAME GAP KEY	
DOOR THICKNESS	GAP
44mm	1.5mm
54mm	10mm



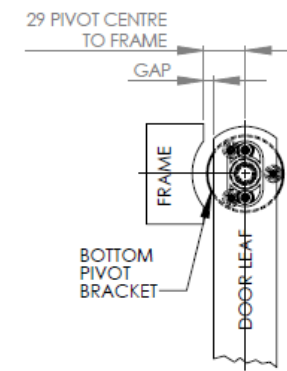
Royde & Tucker H131-401 HI-LOAD pivot set - FR Application

- Grade 304 stainless steel
- Suitable for FD30 (44mm) and FD60 (54mm) doors, to BS 476 for both single and double door applications
- Allows the door to swing in either direction
- Maintenance free, guaranteed for 25 years
- Bottom bracket is floor mounted and doesn't protrude beyond the doors face
- Medium duty for internal doors weighing up to 120kg and up to 1100mm wide
- Top and bottom door plates have HI-LOAD maintenance free oil impregnated bronze bearings
- Set includes door bottom pivot, top centre, door brackets and M5 x 30mm screws
- Intumescent pad pack HP131

- Note: Door plates radiused R12.5 for easier preparation

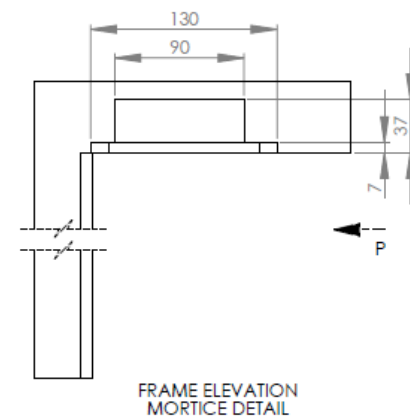
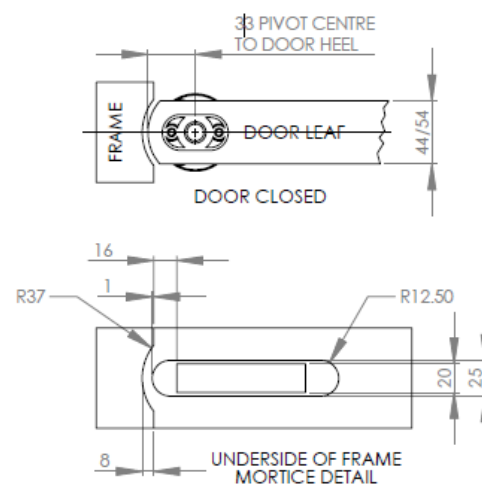
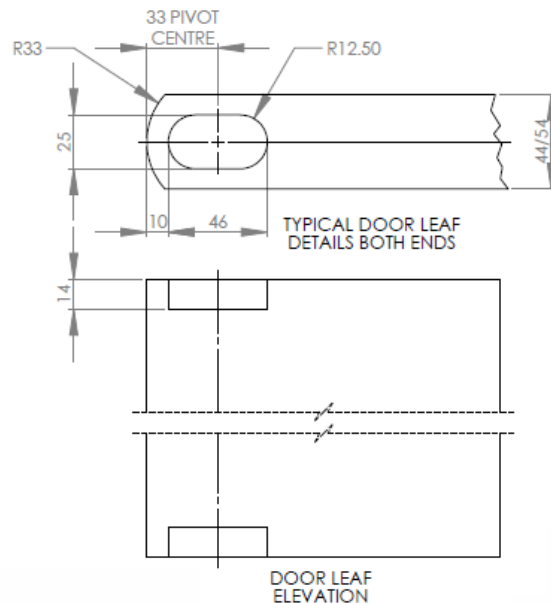


SCALLOPED FRAME DETAIL KEY	
A =	MINIMUM 70mm
B =	MINIMUM 22mm FOR HARDWOOD, 28mm FOR SOFTWOOD
D =	MINIMUM 30mm FOR HARDWOOD, 36mm FOR SOFTWOOD
R =	RADIUS FROM DOOR PIVOT

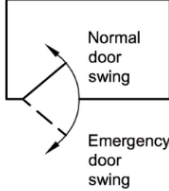


DOOR OPEN 90°

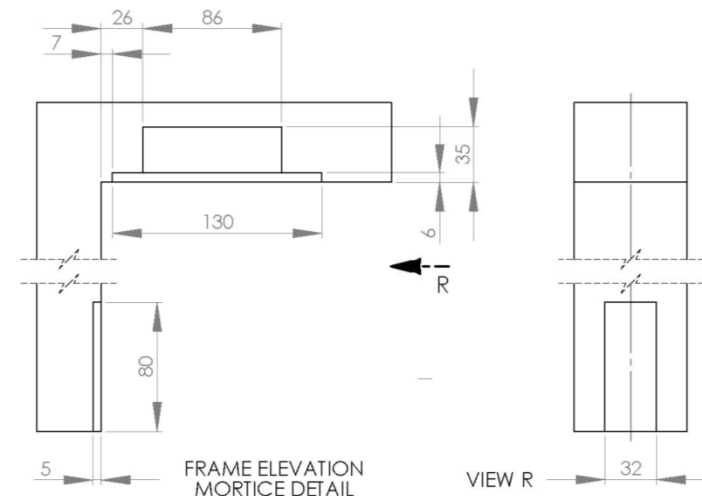
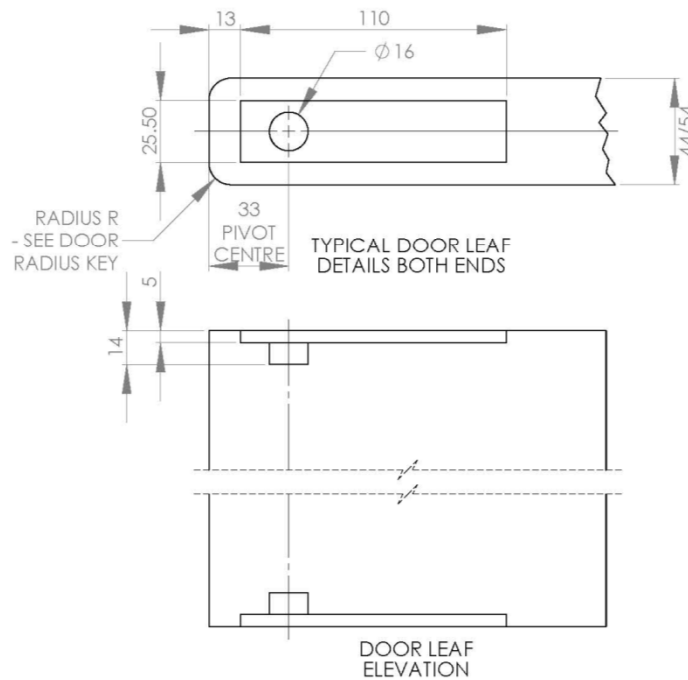
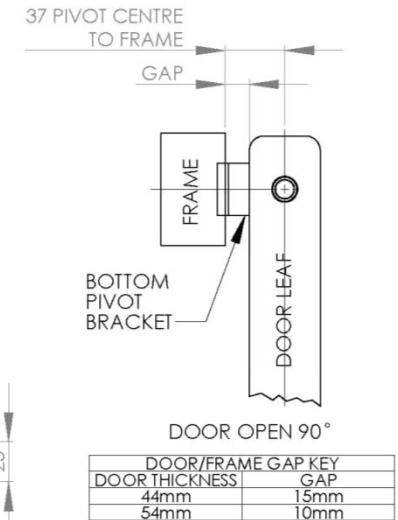
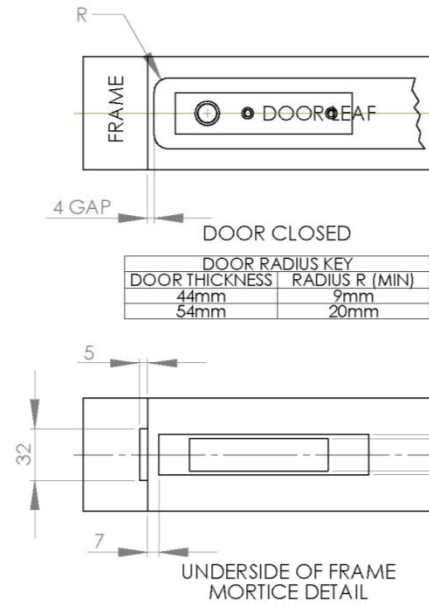
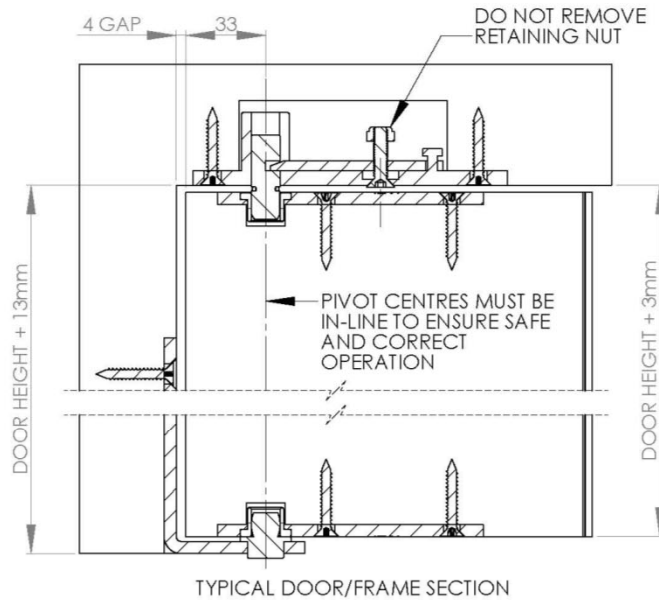
DOOR/FRAME GAP KEY	
DOOR THICKNESS	GAP
44mm	7mm
54mm	2mm



Royde & Tucker H131-100 HI-LOAD pivot set - NFR Application

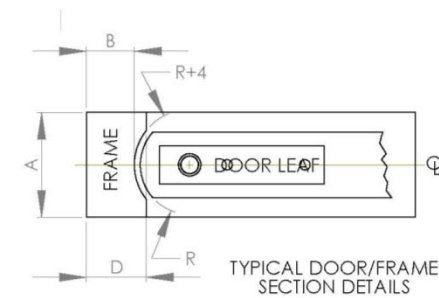
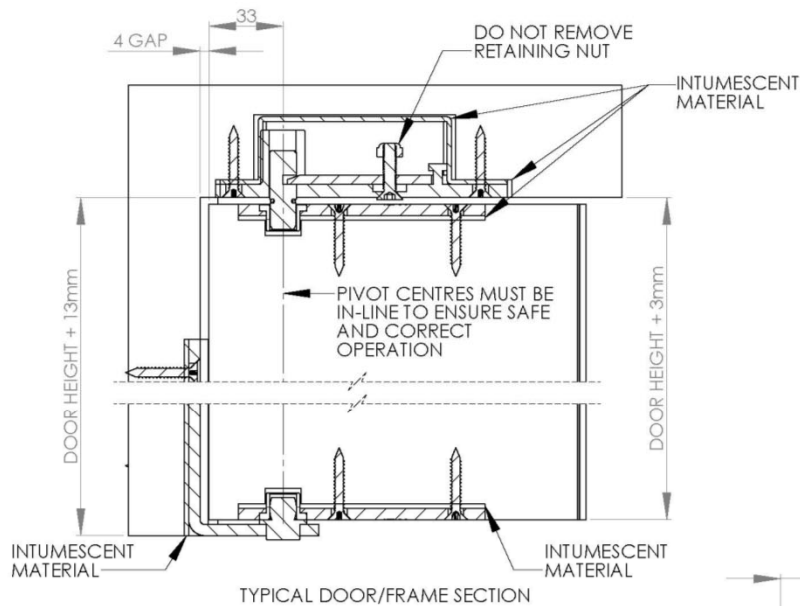


- Grade 304 stainless steel
- Maintenance free, guaranteed for 25 years
- Allows the door to swing in either direction
- Medium duty for internal doors weighing up to 80kg when floor mounted and up to 1100mm wide
- Top and bottom door plates have HI-LOAD maintenance free oil impregnated bronze bearings
- Set includes door bottom pivot bracket, top centre, door mounting plates and M5 x 30mm screws



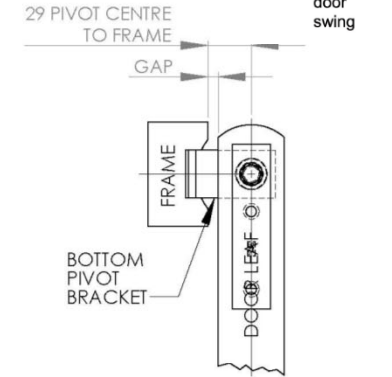
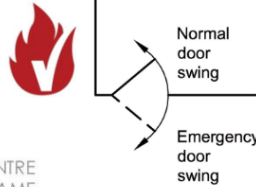
Royde & Tucker H131-100 HI-LOAD pivot set - FR Application

- Grade 304 stainless steel
- Maintenance free, guaranteed for 25 years
- Suitable for FD30 (44mm) and FD60 (54mm) doors, to BS 476 for both single and double door applications
- Allows the door to swing in either direction
- Medium duty for internal doors weighing up to 80kg when floor mounted and up to 1100mm wide
- Top and bottom door plates have HI-LOAD maintenance free oil impregnated bronze bearings
- Set includes door bottom pivot, top centre, door brackets and M5 x 30mm screws
- Intumescent pad pack HP131-100



TYPICAL DOOR/FRAME SECTION DETAILS

SCALLOPED FRAME DETAIL KEY	
A =	MINIMUM 70mm
B =	MINIMUM 22mm FOR HARDWOOD, 28mm FOR SOFTWOOD
D =	MINIMUM 30mm FOR HARDWOOD, 36mm FOR SOFTWOOD
R =	RADIUS FROM DOOR PIVOT



DOOR OPEN 90°

DOOR/FRAME GAP KEY	
DOOR THICKNESS	GAP
44mm	7mm
54mm	2mm

