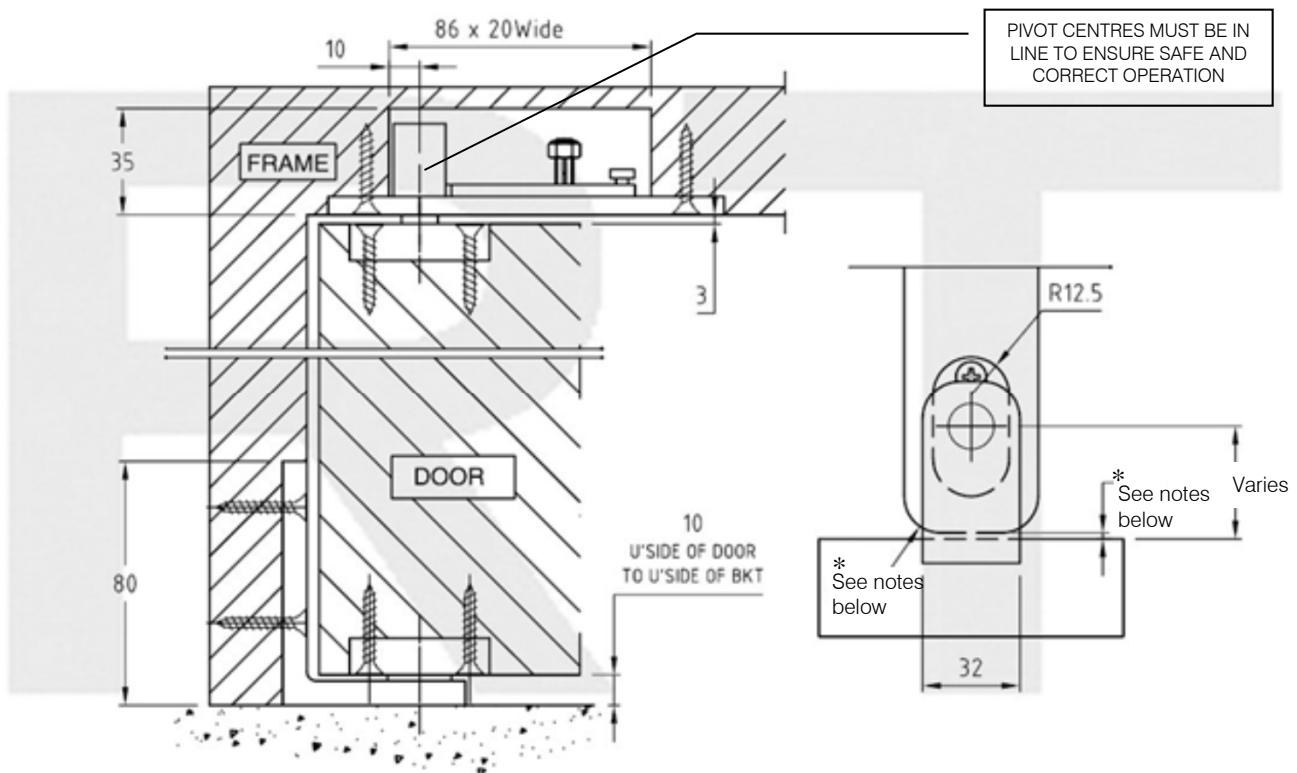
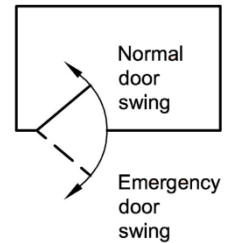


Royde & Tucker H131-400 HI-LOAD pivot set

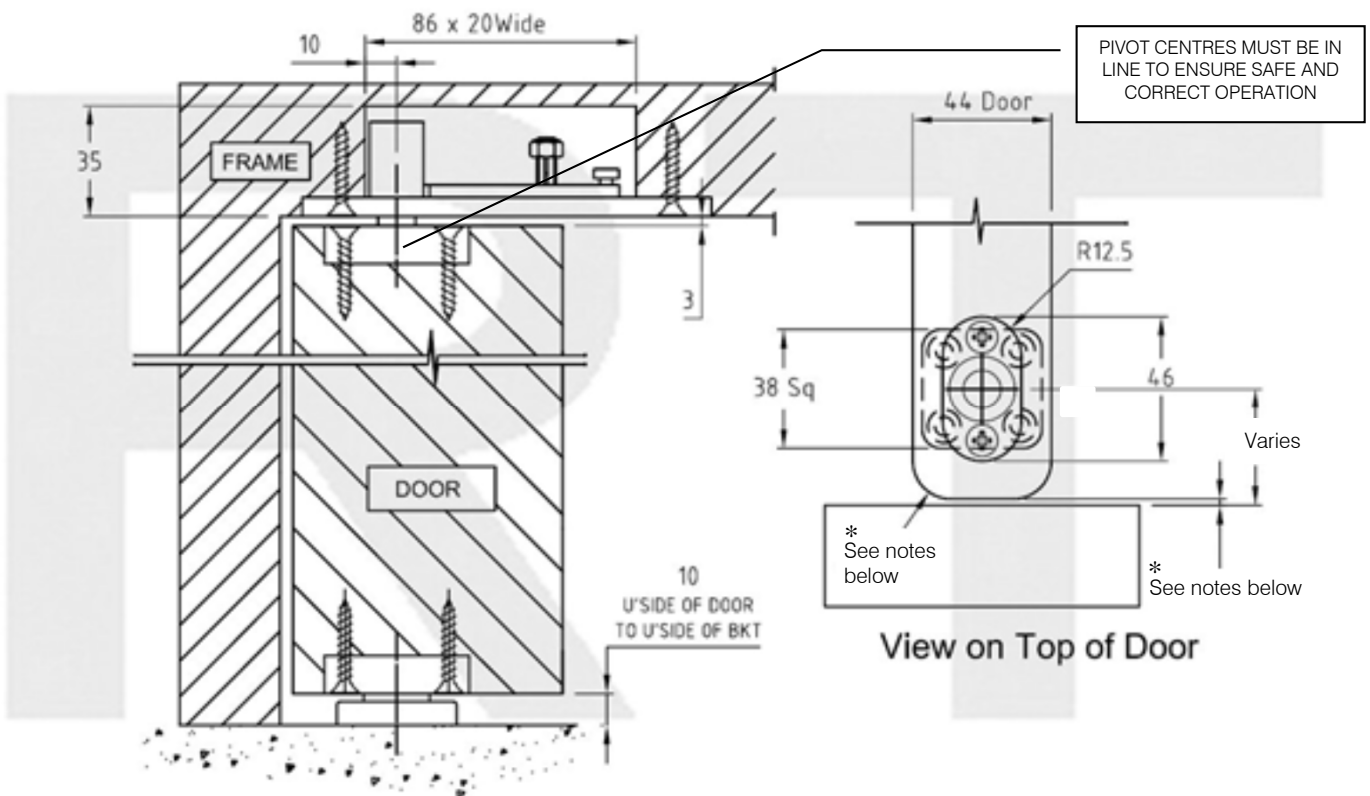
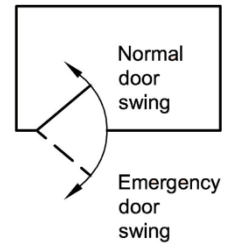


- Grade 304 stainless steel
- Maintenance free, guaranteed for 25 years
- Suitable for FD30 and FD60 doors, to BS 476 for both single and double door applications
- Allows the door to swing in either direction
- *For 44mm non FR doors an R9 radius is required on the pivot edge with a 4mm door and frame gap
- *For 44mm thick Fire doors an R15 radius is required on the pivot edge as only a 3mm gap is permitted between the door and frame.
- *For 54mm thick Fire doors an R20 radius is required on the pivot edge as only a 3.5mm gap is permitted between the door and frame.
- Medium duty for internal doors weighing up to 80kg when floor mounted and up to 1100mm wide when jamb mounted
- Top and bottom door plates have HI-LOAD maintenance free oil impregnated bronze bearings
- Set includes door bottom pivot, top centre, door brackets and M5 x 30mm screws
- For adjustable unit see H131-450

Royde & Tucker Ltd
 Bilton Road
 Cadwell lane
 Hitchin
 SG4 0SB
 Tel:01462 444444
 Fax:01462 444433
 www.ratman.co.uk
 e-mail: sales@ratman.co.uk

Note: Door plates radii R12.5 for easier preparation

Royde & Tucker H131-402 HI-LOAD pivot set



- Grade 304 stainless steel
- Allows the door to swing in either direction
- Maintenance free, guaranteed for 25 years
- Suitable for FD30 and FD60 doors, to BS 476 for both single and double door applications
- *For 44mm non FR doors an R9 radius is required on the pivot edge with a 4mm door and frame gap
- *For 44mm thick Fire doors an R15 radius is required on the pivot edge as only a 3mm gap is permitted between the door and frame.
- *For 54mm thick Fire doors an R20 radius is required on the pivot edge as only a 3.5mm gap is permitted between the door and frame.
- Bottom bracket is floor mounted and doesn't protrude beyond the doors face
- Medium duty for internal doors weighing up to 80kg and up to 1100mm wide
- Top and bottom door plates have HI-LOAD maintenance free oil impregnated bronze bearings
- Set includes door bottom pivot, top centre, door brackets and M5 x 30mm screws
- For adjustable unit see H131-452
- Note: Door plates radiused R12.5 for easier preparation

Royde & Tucker Ltd
 Bilton Road
 Cadwell lane
 Hitchin
 SG4 0SB

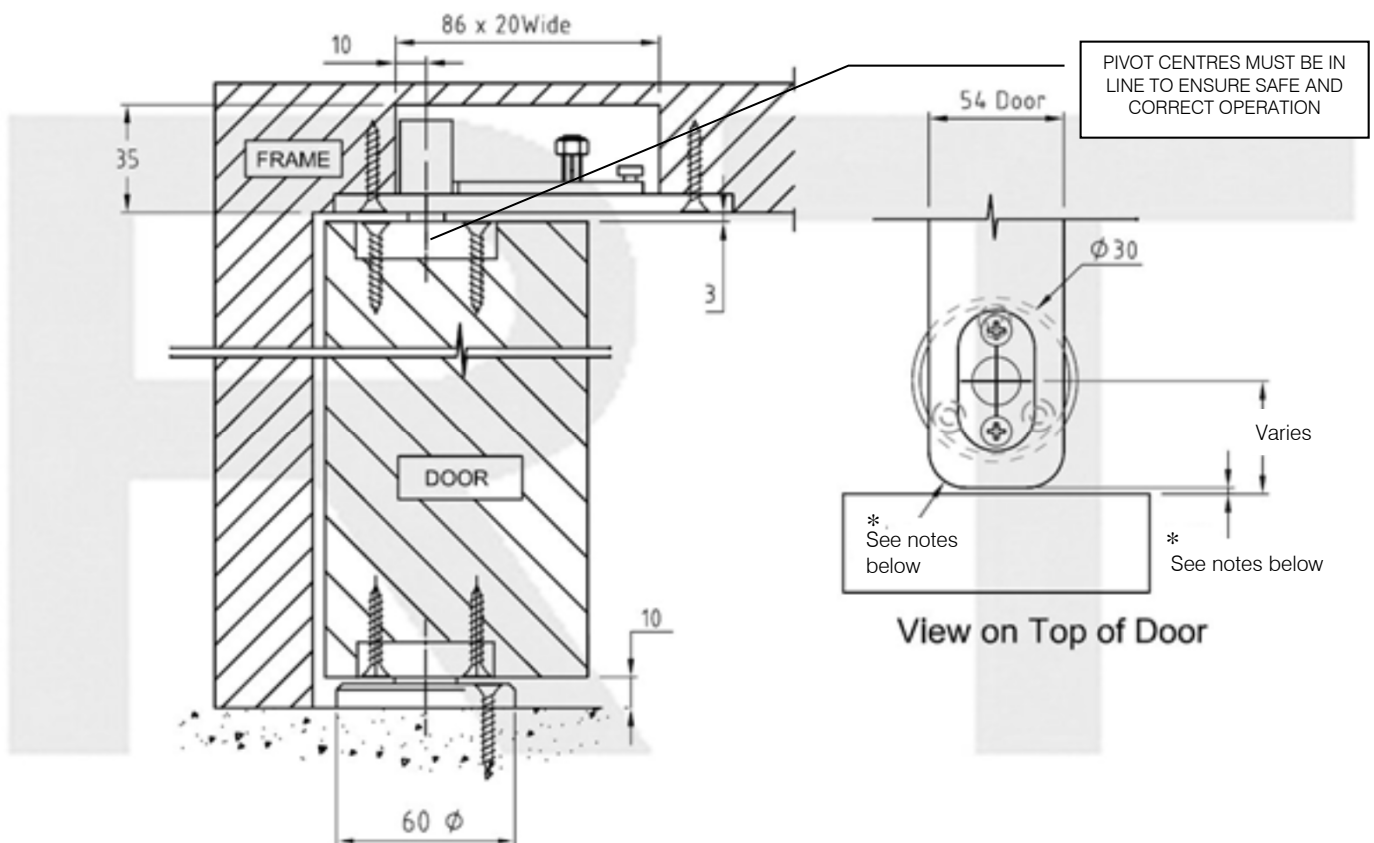
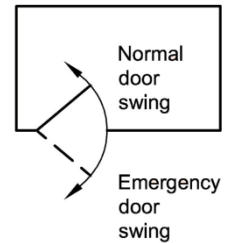
Tel:01462 444444

Fax:01462 444433

www.ratman.co.uk

e-mail: sales@ratman.co.uk

Royde & Tucker H131-401 HI-LOAD pivot set



- Grade 304 stainless steel
- Allows the door to swing in either direction
- Maintenance free, guaranteed for 25 years
- Suitable for FD30 and FD60 doors, to BS 476 for both single and double door applications
- *For 44mm non FR doors an R9 radius is required on the pivot edge with a 4mm door and frame gap
- *For 44mm thick Fire doors an R15 radius is required on the pivot edge as only a 3mm gap is permitted between the door and frame.
- *For 54mm thick Fire doors an R20 radius is required on the pivot edge as only a 3.5mm gap is permitted between the door and frame.
- Heavy duty for internal doors weighing up to 120kg and up to 1100mm wide
- Top and bottom door plates have HI-LOAD maintenance free oil impregnated bronze bearings
- Set includes door bottom pivot, top centre, door brackets and M5 x 30mm screws
- For adjustable unit see H131-451
- Note: Door plates radii R12.5 for easier preparation

Royde & Tucker Ltd
 Bilton Road
 Cadwell lane
 Hitchin
 SG4 0SB

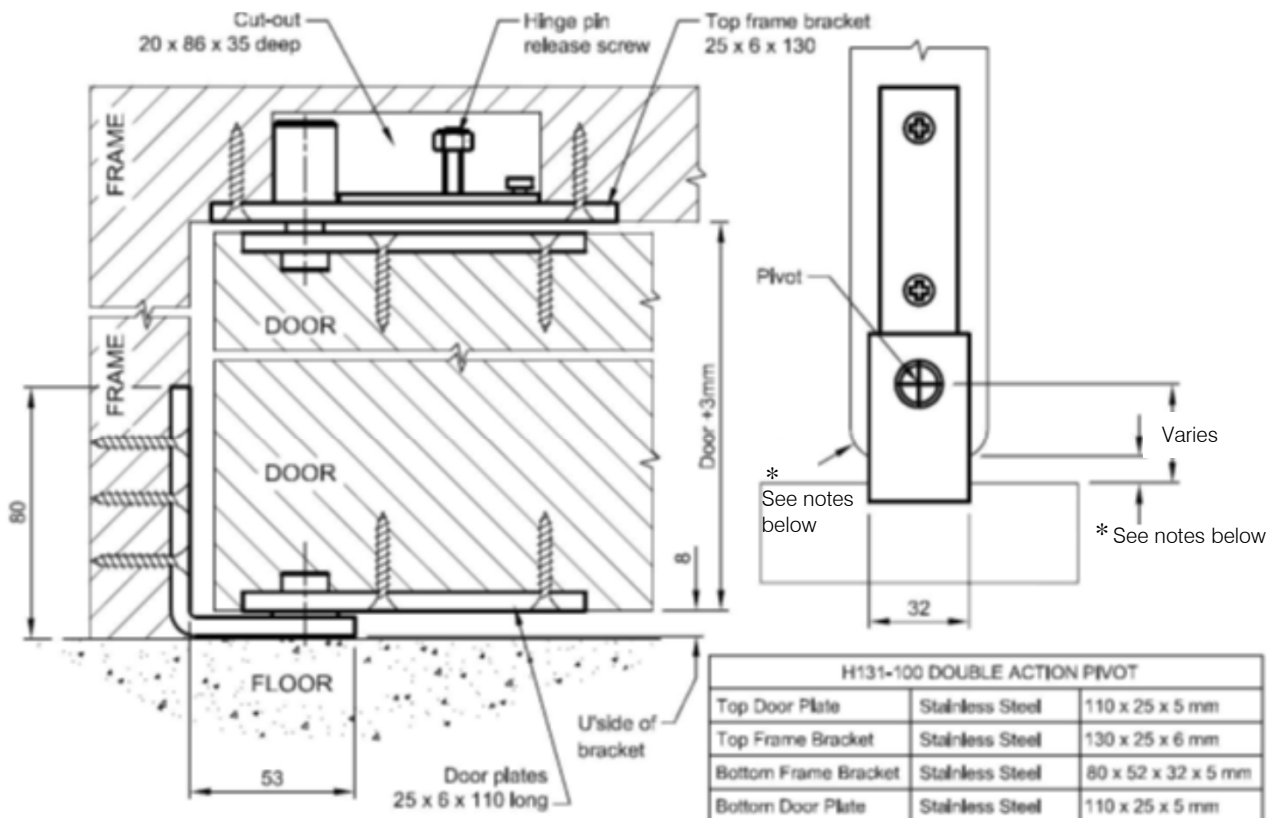
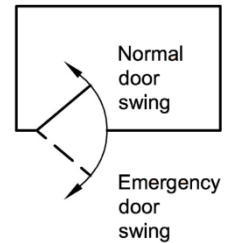
Tel: 01462 444444

Fax: 01462 444433

www.ratman.co.uk

e-mail: sales@ratman.co.uk

Royde & Tucker H131-100 HI-LOAD pivot set



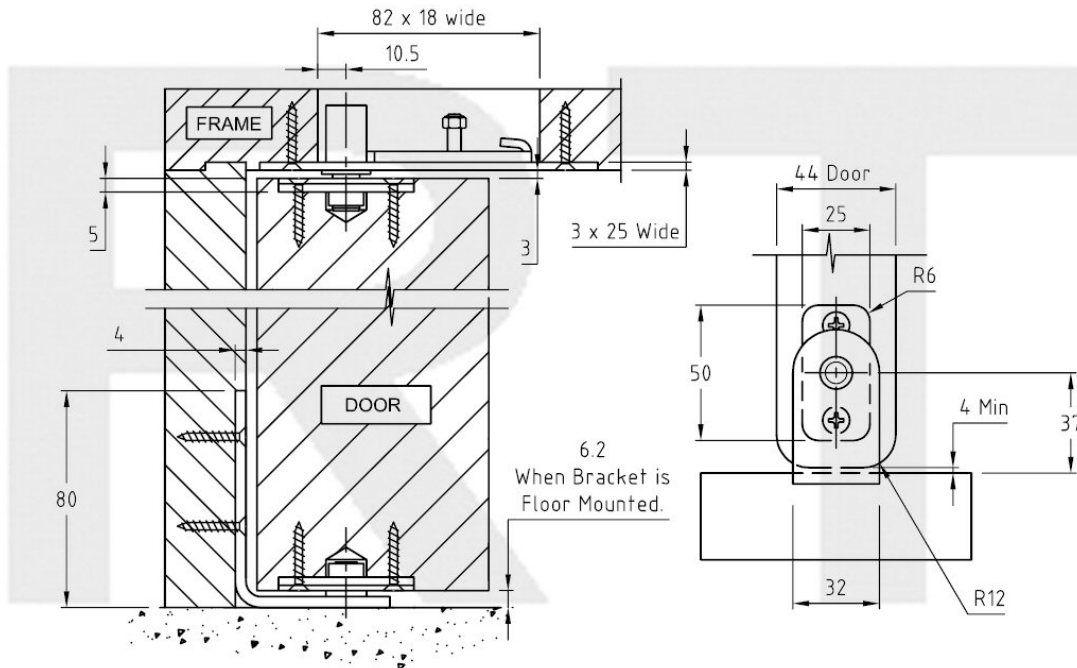
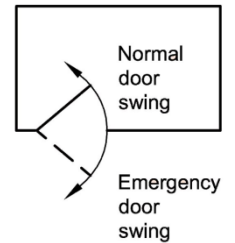
- Grade 304 stainless steel
- Maintenance free, guaranteed for 25 years
- Allows the door to swing in either direction
- Suitable for FD30 and FD60 doors, to BS 476 for both single and double door applications
- *For 44mm non FR doors an R9 radius is required on the pivot edge with a 4mm door and frame gap
- *For 44mm thick Fire doors an R15 radius is required on the pivot edge as only a 3mm gap is permitted between the door and frame.
- *For 54mm thick Fire doors an R20 radius is required on the pivot edge as only a 3.5mm gap is permitted between the door and frame.
- Medium duty for internal doors weighing up to 80kg when floor mounted and up to 1100mm wide when jamb mounted
- Top and bottom door plates have HI-LOAD maintenance free oil impregnated bronze bearings
- Set includes door bottom pivot, top centre, door brackets

Royde & Tucker Ltd
 Bilton Road
 Cadwell lane
 Hitchin
 SG4 0SB

Tel:01462 444444
 Fax:01462 444433
 www.ratman.co.uk

e-mail: sales@ratman.co.uk

Royde & Tucker H131-700 HI-LOAD pivot set (Standard door detail)

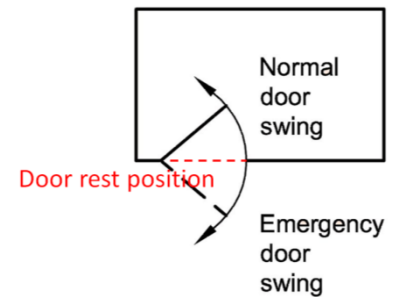


- Powder coated mild steel
- Allows the door to swing in either direction
- Minimum door thickness 38mm. R12 radius is required on the pivot edge
- Bottom bracket is frame or floor mounted
- Light duty for internal doors weighing up to 20kg (frame mounted) and 40kg (floor mounted) up to 950mm wide
- Top and bottom door plates have HI-LOAD maintenance free oil impregnated bronze bearings
- Set includes door bottom pivot, top centre, door brackets and M5 x 30mm screws

Note: Door plates radii R6 for easier preparation

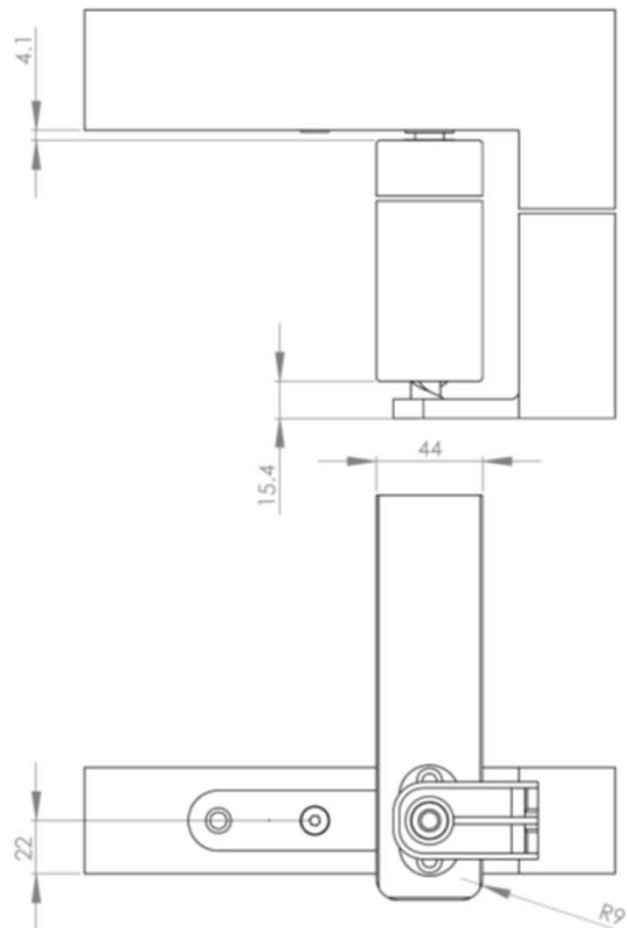
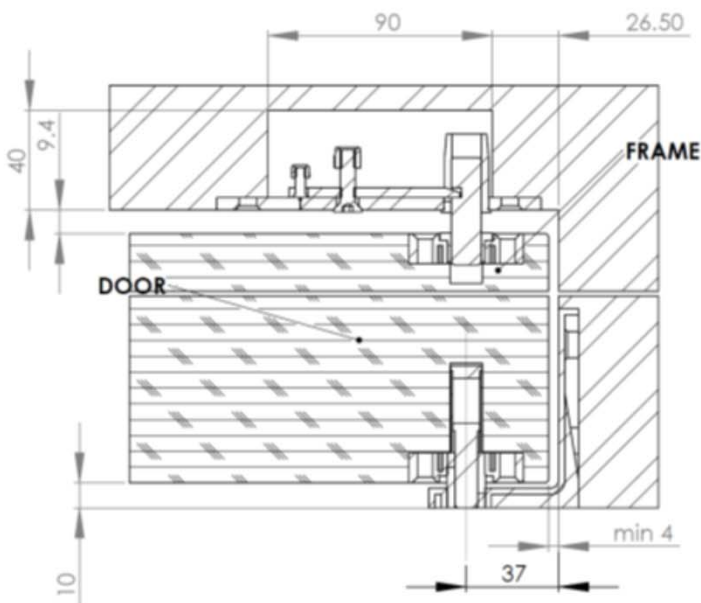
Royde & Tucker Ltd
Bilton Road
Cadwell lane
Hitchin
SG4 0SB
Tel:01462 444444
Fax:01462 444433
www.ratman.co.uk
e-mail: sales@ratman.co.uk

Royde & Tucker H131-490 Self centring pivot set



CLOSED VIEW

OPEN VIEW



- Grade 304 stainless steel
- Allows the door to swing in either direction and comes to rest in the closed position
- Medium duty for internal doors weighing up to 80kg when floor mounted and up to 1100mm wide when jamb mounted
- Set includes door bottom pivot, top centre, door brackets
- Required door/frame head gap to allow door to rise and fall

Royde & Tucker Ltd
Bilton Road
Cadwell lane
Hitchin
SG4 0SB
Tel:01462 444444
Fax:01462 444433
www.ratman.co.uk
e-mail: sales@ratman.co.uk