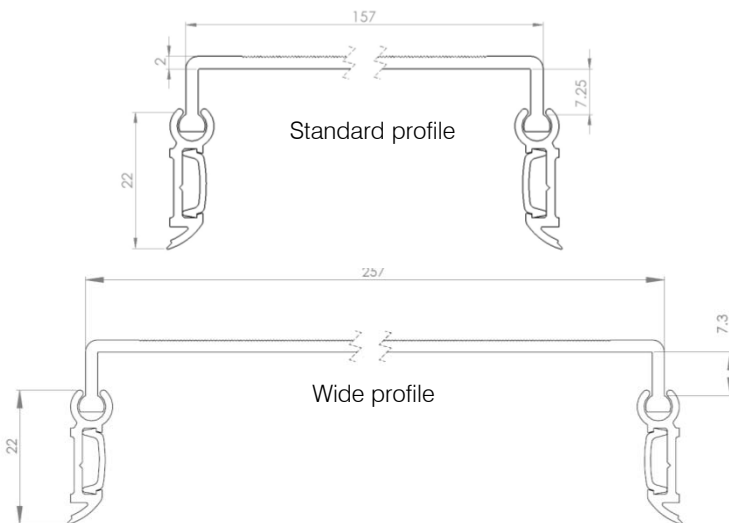
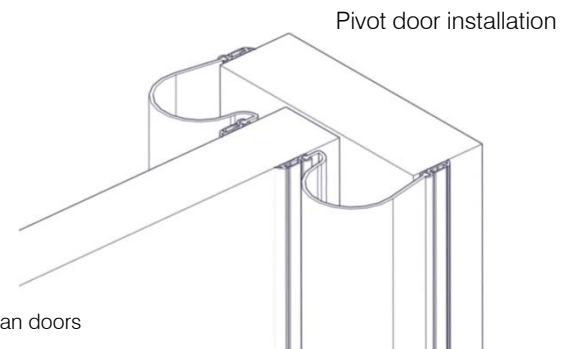
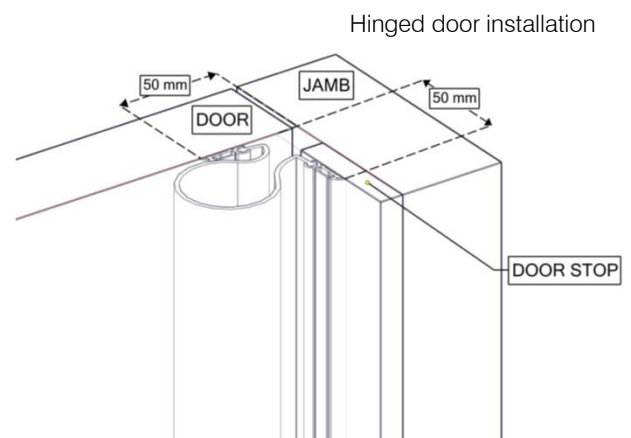
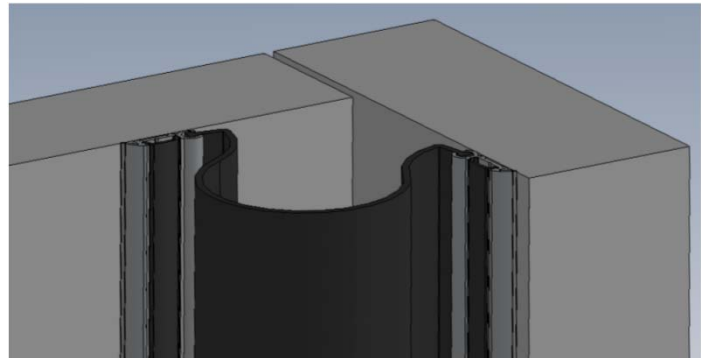


SR71 Door finger trap protector

Finger entrapment in doors can result in serious injuries that have long term effects such as amputation, or in less severe cases, require significant hospital treatment. Preventing such injuries is therefore important. Finger trap protection should be installed in all hinged or pivoted door situations whereby users can potentially get fingers caught between the door and the frame, all public areas including shops, hotels and sports centres should be reviewed for potential risks.

Areas of particular concern include:

- Schools or child care centres. Children suffer a disproportionate number of finger entrapment injuries because of their lack of understanding of the dangers presented by doors, young children may put their fingers into the gap between a door and its frame without any awareness of the possible consequences.
- Homes or residential facilities for the aged or disabled. Those, particularly with walking difficulties often use the door frame as a support when negotiating a doorway and inadvertently put fingers into the jamb, this is especially true of those doors fitted with door closers
- Where automatic swing doors are fitted, it is a requirement of BS EN 16005 that fingertrap protection be used at the hanging stile(s) of the doorset.



- Designed for use with timber or steel hinged or pivoting doors
- Compliant with Class 1 of BS8613:2017 Finger protection devices for pedestrian doors
- Minimum 35mm door thickness
- Opening angles up to 120°
- Lengths: 2100mm and 2500mm
- To be installed full height to prevent tampering or items being deposited behind the safety strip
- Anodised aluminium carrier
- Self drilling screws
- TPV safety strip - TPV has good environmental temperature performance (both low and high). Good resistance to chemicals and weathering. Low compression set and flex fatigue resistance. TPV is significantly more UV stable (no fading or whitening) and has greater tear strength and tear resistance compared to EPDM
- Outer box quantity 10no

Parts:

- SR71BLK2100 (2100mm long, Black)
- SR71WHI2100 (2100mm long White)
- SR71BLK2500 (2500mm long, Black)
- SR71BLK2100W (2100mm long, Black, wide safety strip)

Royde & Tucker Ltd
 Bilton Road
 Cadwell lane
 Hitchin
 SG4 0SB
 Tel:01462 444444
 Fax:01462 444433
 www.ratman.co.uk
 e-mail: sales@ratman.co.uk