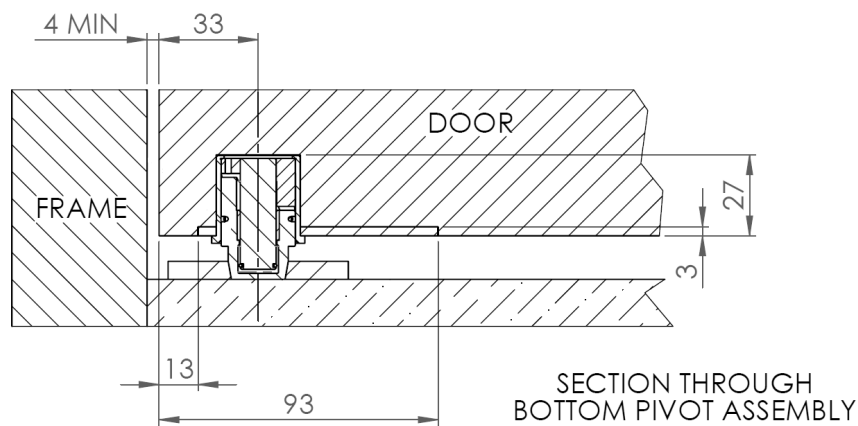
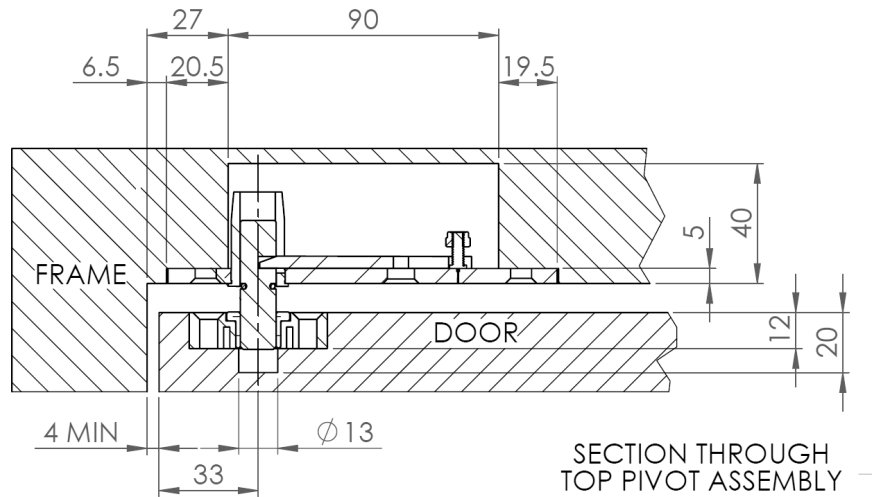
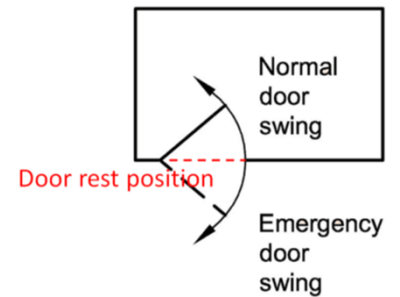
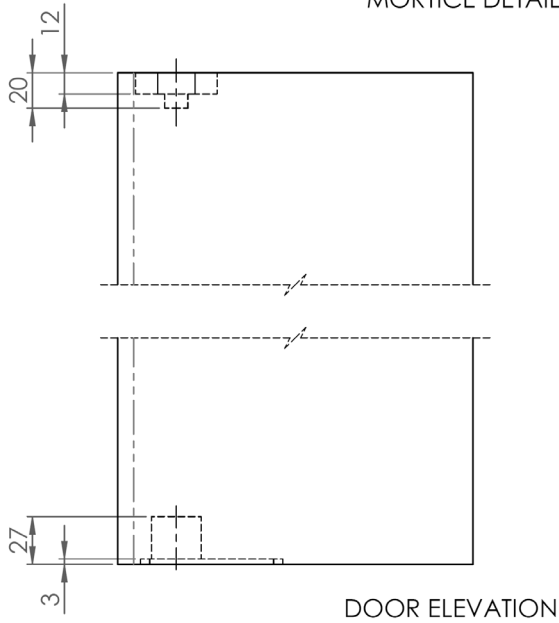
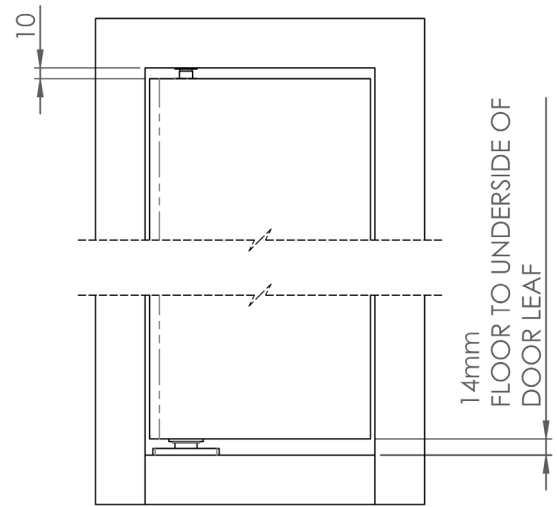
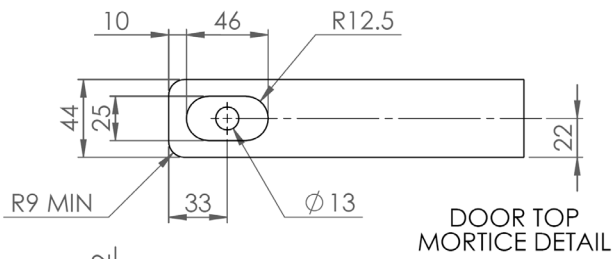
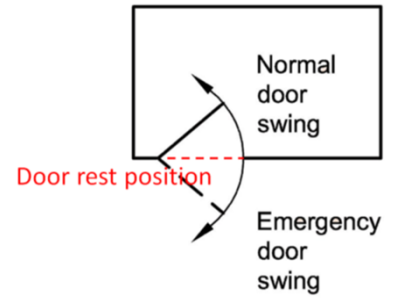
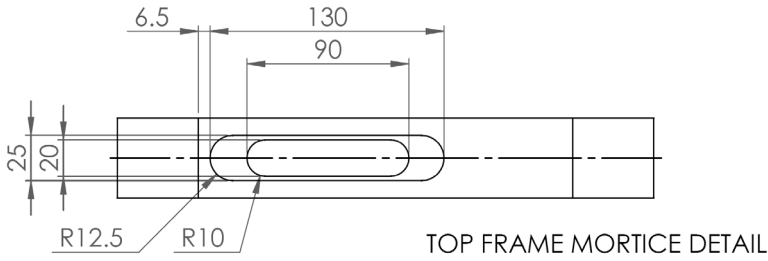


Royde & Tucker H131-911 Heavy Duty self centring pivot set

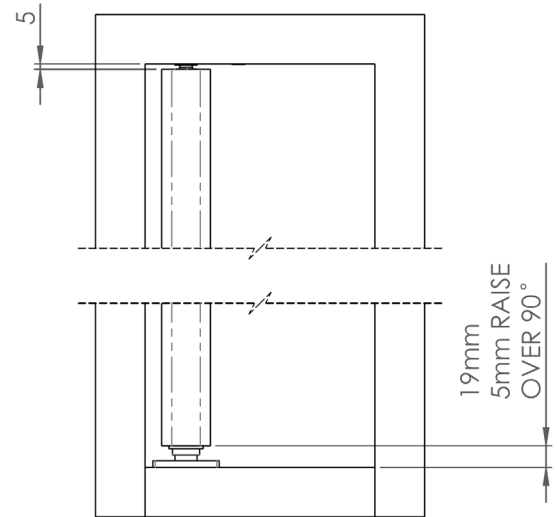


- Allows the door to swing in either direction and comes to rest in the closed position under gravity
- Grade 304 stainless steel
- Heavy duty for internal doors, adjusted weight between 60kg and 120kg and 900mm wide (pls contact the sales office for wider doors)
- Low profile floor plate for easier fitting
- Sealed bearing to help prevent contamination
- Set includes door bottom pivot, top centre, door brackets
- Rests/dwells at 0°. Can be factory set with different dwell position

Royde & Tucker Ltd
Bilton Road
Cadwell lane
Hitchin
SG4 0SB
Tel:01462 444444
Fax:01462 444433
www.ratman.co.uk
e-mail: sales@ratman.co.uk



ELEVATION - DOOR LEAF CLOSED



ELEVATION - DOOR LEAF OPEN

