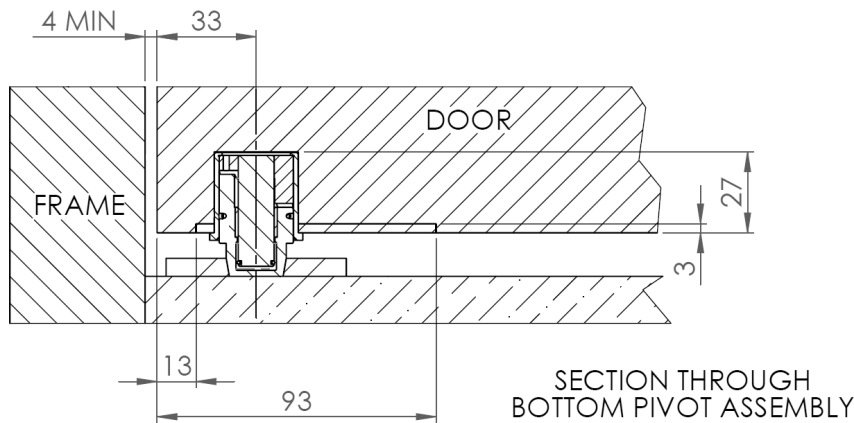
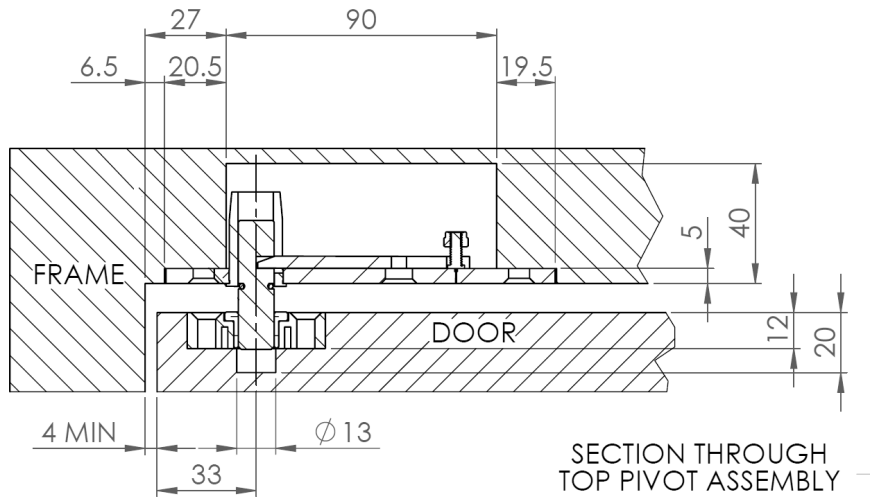
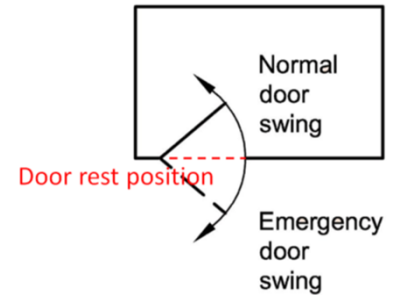
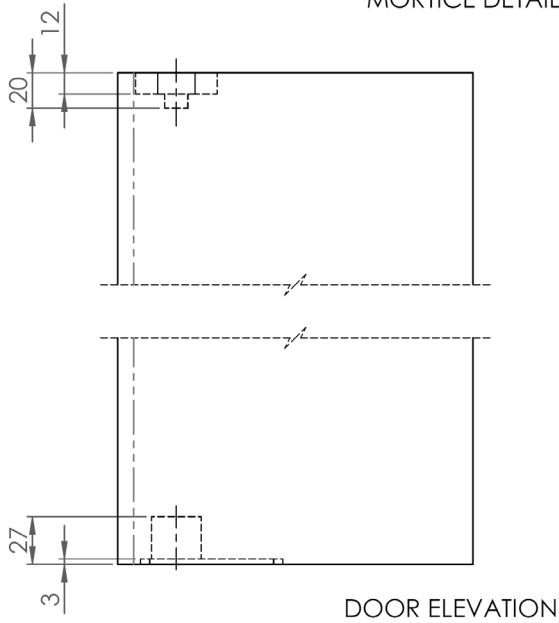
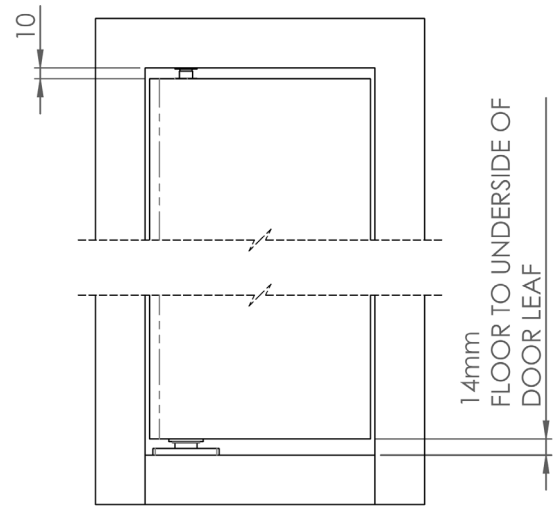
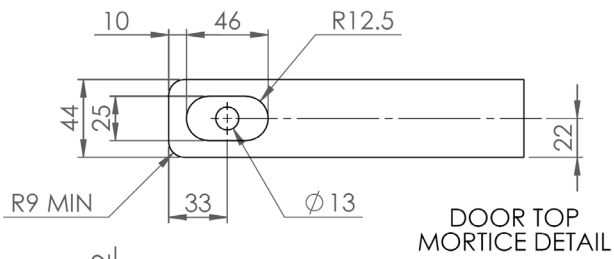
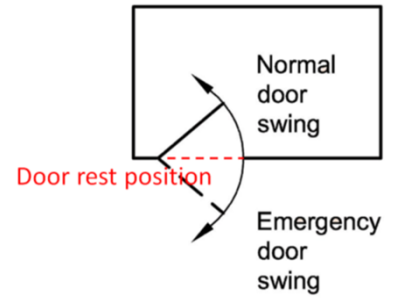
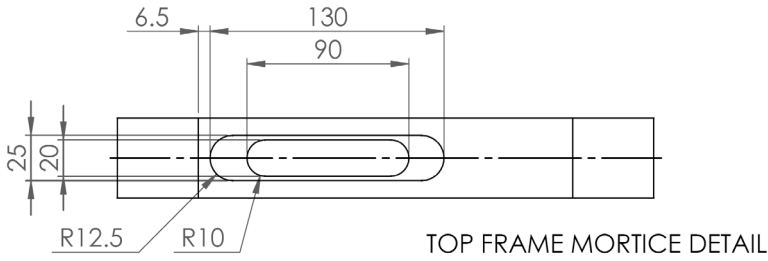


## Royde & Tucker H131-911 Heavy Duty self centring pivot set

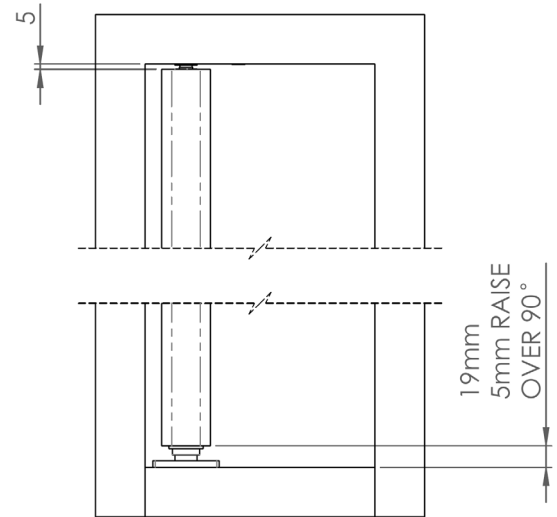


- Allows the door to swing in either direction and comes to rest in the closed position under gravity
- Grade 304 stainless steel
- Heavy duty for internal doors, adjusted weight between 60kg and 120kg and 900mm wide (pls contact the sales office for wider doors)
- Low profile floor plate for easier fitting
- Sealed bearing to help prevent contamination
- Set includes door bottom pivot, top centre, door brackets
- Rests/dwells at 0°. Can be factory set with different dwell position

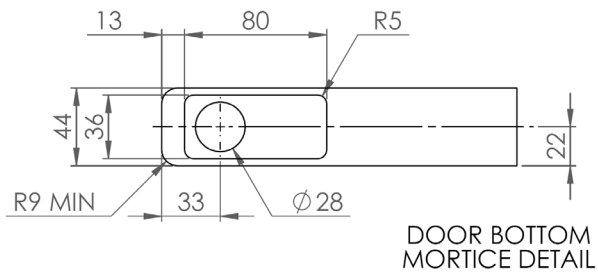
**Royde & Tucker Ltd**  
 Bilton Road  
 Cadwell lane  
 Hitchin  
 SG4 0SB  
 Tel:01462 444444  
 Fax:01462 444433  
 www.ratman.co.uk  
 e-mail: sales@ratman.co.uk



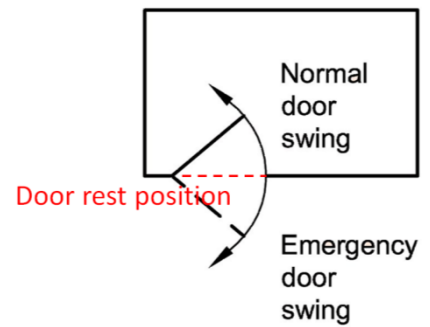
ELEVATION - DOOR LEAF CLOSED



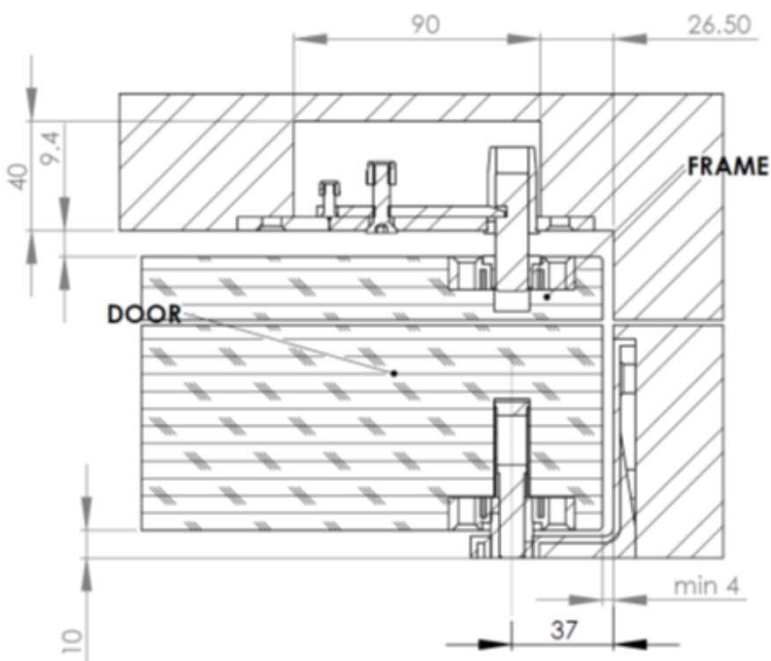
ELEVATION - DOOR LEAF OPEN



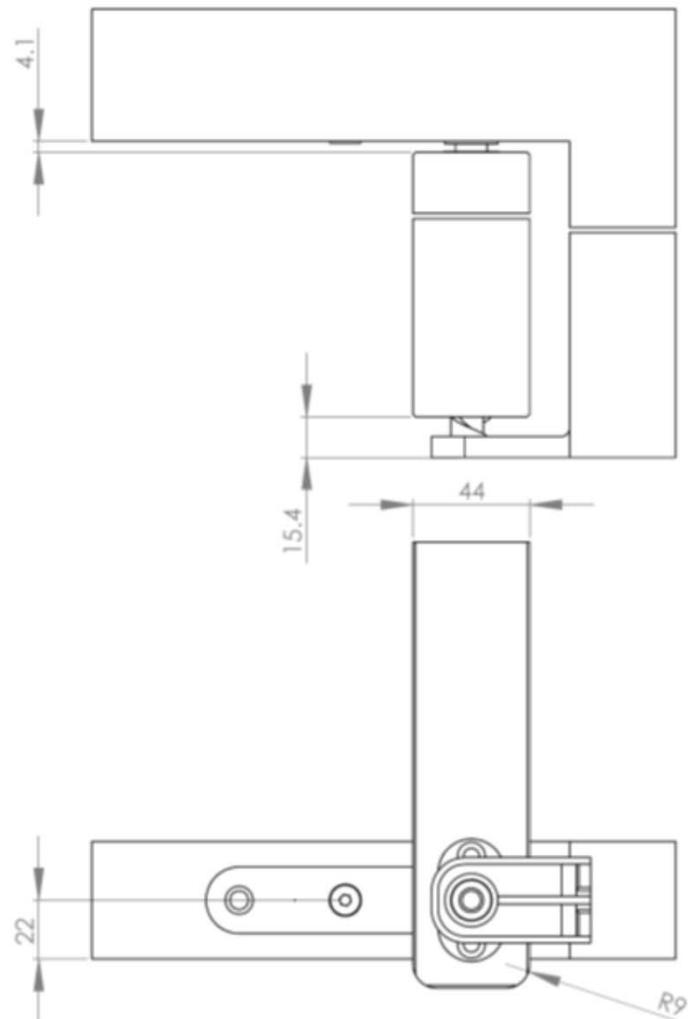
# Royde & Tucker H131-490 Self centring pivot set



CLOSED VIEW



OPEN VIEW



- Grade 304 stainless steel
- Allows the door to swing in either direction and comes to rest in the closed position
- Light duty for internal doors weighing up to 50kg and up to 900mm wide
- Set includes door bottom pivot, top centre, door brackets
- Requires door/frame head gap to allow door to rise and fall
- Rests/dwells at 0°. Can be factory set with different dwell position

**Royde & Tucker Ltd**

Bilton Road  
Cadwell lane  
Hitchin  
SG4 0SB

Tel: 01462 444444

Fax: 01462 444433

www.ratman.co.uk

e-mail: sales@ratman.co.uk