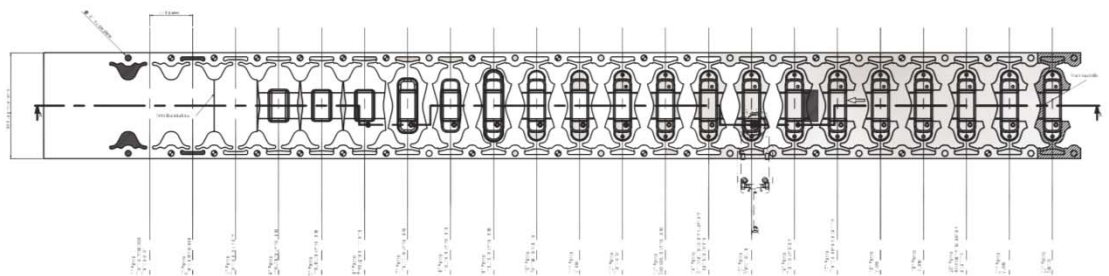
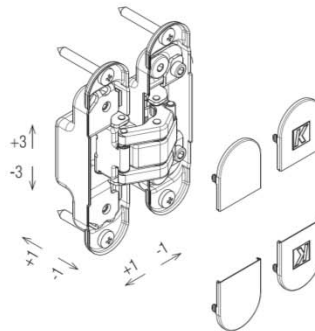
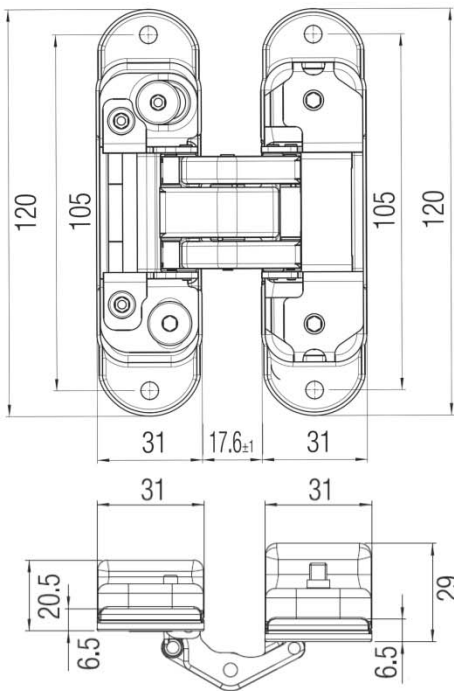


## K8000 Concealed Hinge

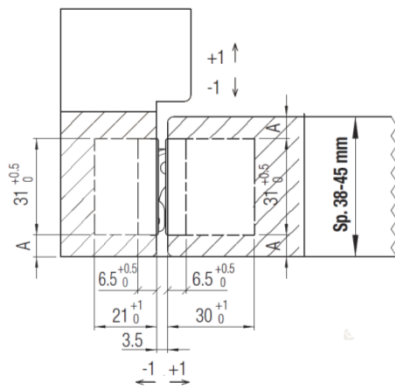
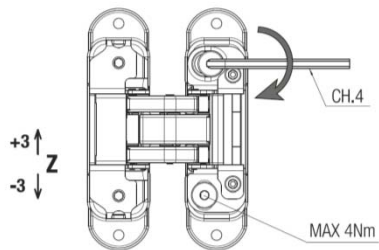
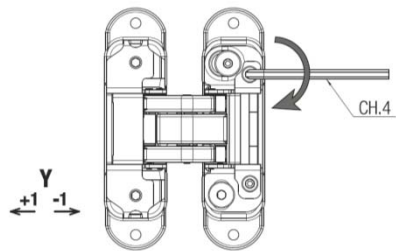
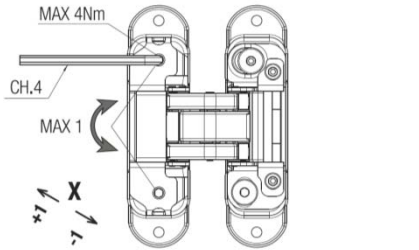
Most concealed hinges are formed or assembled from soft alloy components, for examples Zinc or Mazak castings. The K8000 is a leap forward in manufacturing technology, using multi stage progression tooling to form up the hinge components in hard ally (steel). This no only affords the K8000 a highly repeatable product, but also gives excellent structural and fire performance.

- 120 x 31 x 29/20.5mm fully concealed hinge
- Adjustable on 3 axis
- Door thicknesses 38-45mm
- Opens to 180degrees (see below setting out)
- Maximum door leaf weight 50kg (3no)
- Maximum door leaf height 2100mm
- Non-handed
- Pressed steel body
- Hardened steel pins
- Teflon bearing surfaces
- Finishes: Satin Chrome SC, Satin Nickel NS

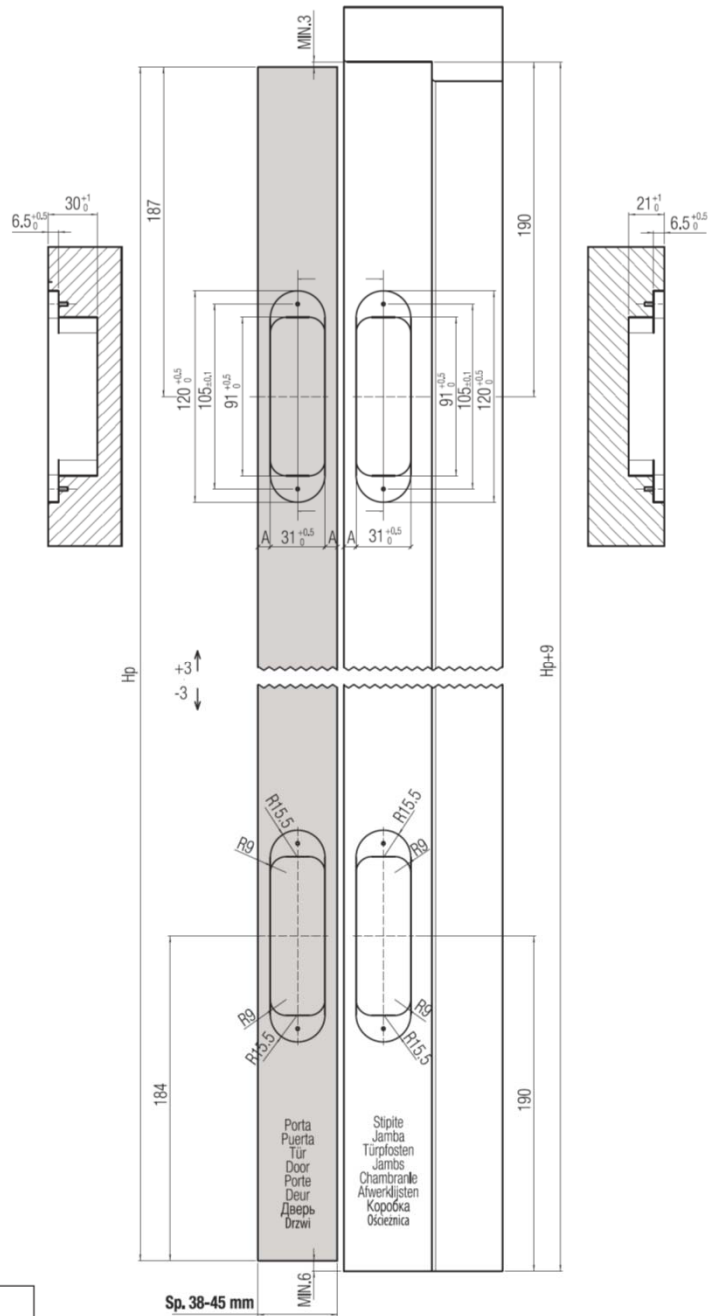


## K8000 Concealed Hinge

Nb. If installing on doors greater than 45mm thick the hinge cannot be installed more than 7mm from the opening face if the door is to open back to 180°



Sp (mm)	A
38	3.5
39	4
40	4.5
41	5
42	5.5
43	6
44	6.5
45	7



**Royde & Tucker Ltd**  
 Bilton Road  
 Cadwell lane  
 Hitchin  
 SG4 0SB

Tel:01462 444444  
 Fax:01462 444433

www.ratman.co.uk

e-mail: sales@ratman.co.uk