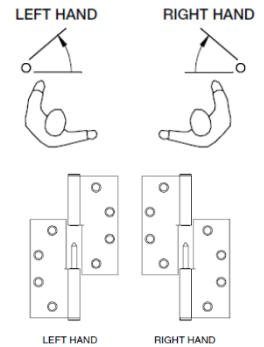
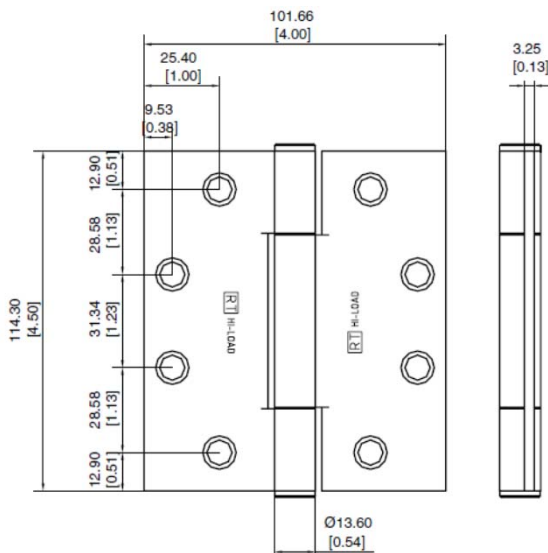




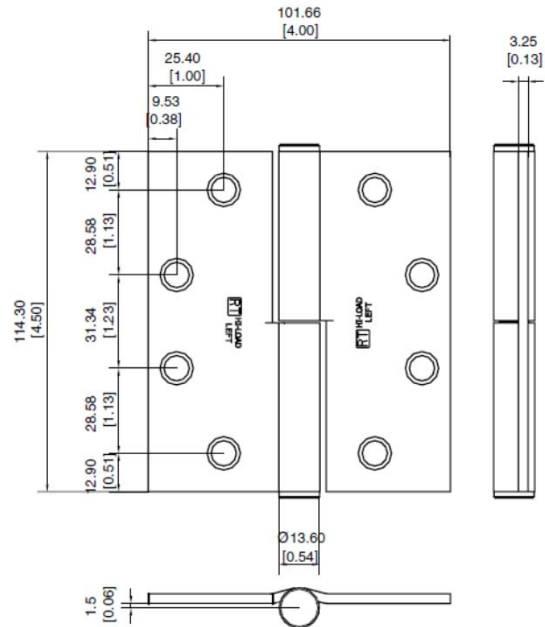
# Royde & Tucker H4540 HI-LOAD concealed bearing hinges



H4540-FS



H4540-LS/RS



4 ½ x 4" (114.3 x 101.6mm)

H4540-FS Three knuckle butt hinge

H4540-LS/RS Two knuckle butt hinge (handed)

Maximum adjusted door weight 265lb/120kg

Minimum door thickness 44mm

Maintenance free, guaranteed for 25 years

c/w No.12 x 1¼" Phillips single helix self tapping wood screw

Unless otherwise stated stainless steel substrate, Grade 316 stainless steel available

Conforms with ANSI 156.7 and ANSI 156.1.

Independent UL listed.

UL 10C (Cert No: 20110711-R26937)

cUL 10C (Cert No: 20110831-R26937)

**Royde & Tucker Ltd**

Bilton Road

Cadwell lane

Hitchin

SG4 0SB

Tel: 01462 444444

Fax: 01462 444433

www.ratman.co.uk

e-mail: sales@ratman.co.uk