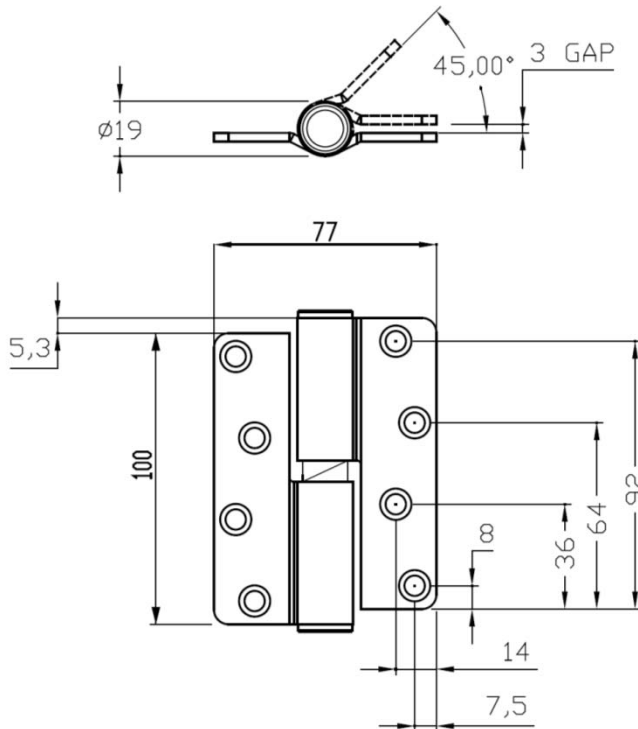
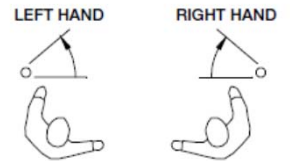
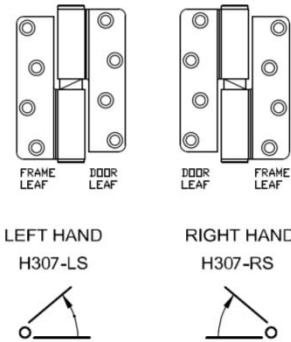


Royde & Tucker H307 falling butt hinge



REST POSITION AT 45°

DOOR RISE 5.3mm AT MAX OPENING OF 90° AND AT THE CLOSED POSITION 0°



These hinges cause the door to REST OPEN at 45°

- 100x77x3mm 45° dwell butt hinge
- These hinges cause the door to rest at 45°
- Maximum adjusted door weight 50kg
- Minimum door thickness 29mm
- c/w metric 5 x 32mm wood screws
- Due to the precision engineering of our rising butt hinges, 3 or even 4 can be used per door leaf, if required
- Grade 304 stainless steel (range of finishes available)

Notes:

- These butt hinges are not to be confused with the HI-LOAD range, in that they require regular maintenance. After fitting, the cam faces and pin must be lubricated with grease supplied, following the manufacturer's instructions.

Royde & Tucker Ltd
Bilton Road
Cadwell lane
Hitchin
SG4 0SB
Tel: 01462 444444
Fax: 01462 444433
www.ratman.co.uk
e-mail: sales@ratman.co.uk