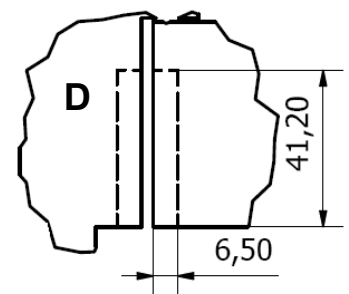
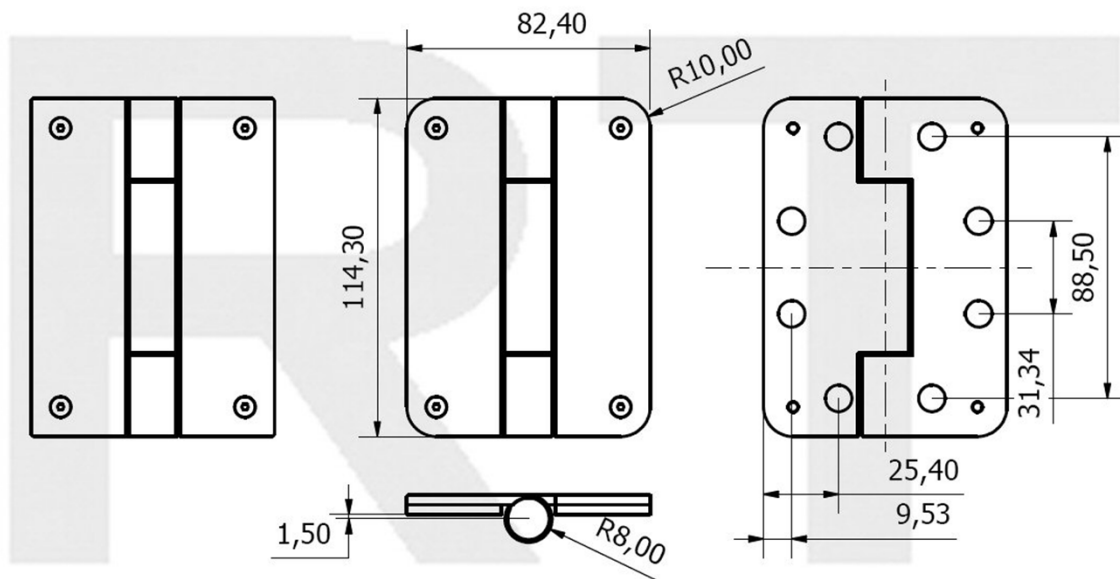


Royde & Tucker H210-300 HI-LOAD Concealed fixing's butt hinge



- 114.3x82.4x6.5mm Three knuckle butt hinge
- Maximum adjusted door weight 160kg
- Minimum door thickness 54mm
- Maintenance free, guaranteed for 25 years
- Concealed bearings
- 4 x M4 Allen Head machine screws to faceplates
- 8 x metric 6 x 32mm wood screws
- Unless otherwise stated stainless steel substrate, Grade 316 stainless steel available

Note:

- Mortice detail "D" for installation

Royde & Tucker Ltd
Bilton Road
Cadwell lane
Hitchin
SG4 0SB

Tel:01462 444444

Fax:01462 444433

www.ratman.co.uk

e-mail: sales@ratman.co.uk