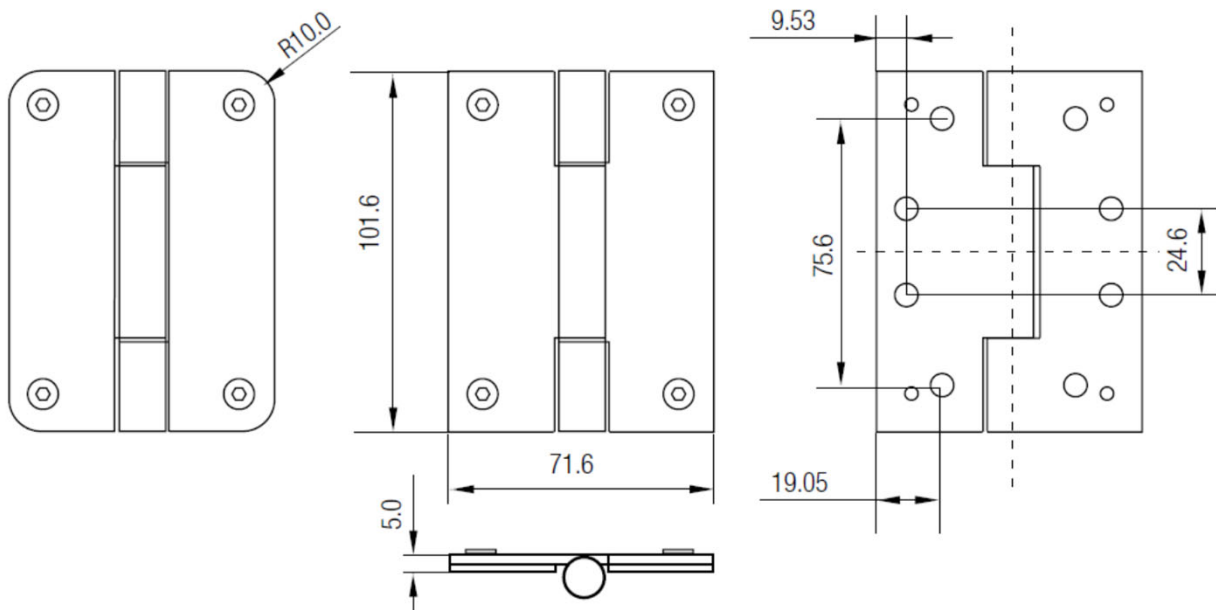


## Royde & Tucker H207-300 HI-LOAD Concealed fixing's butt hinge



BS EN 1935



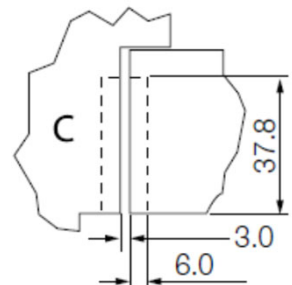
TS 001



- 101.6x71.6x5mm Three knuckle butt hinge
- Tested to & passed the DHF TS001: Door mounted Anti-ligature devices. Certificate TC/07/09/01/C1 Grade 4
- Concealed bearings
- Maximum adjusted door weight 120kg
- Minimum door thickness 44mm
- Maintenance free, guaranteed for 25
- To BS EN 1935 Grade 13
- CE Certificate No. 2812-CPR-AC0007
- Suitable for use on fire doors: Certifire approved – CF215
- Includes intumescent hinge pads, if being installed on fire doors
- 4 x M4 Allen Head machine screws to faceplates
- 8 x metric 5 x 32mm wood screws
- Unless otherwise stated stainless steel substrate, Grade 316 stainless steel available

Note:

- Mortice detail "C" for installation



**Royde & Tucker Ltd**  
Bilton Road  
Cadwell lane  
Hitchin  
SG4 0SB  
Tel:01462 444444  
Fax:01462 444433  
www.ratman.co.uk  
e-mail: sales@ratman.co.uk