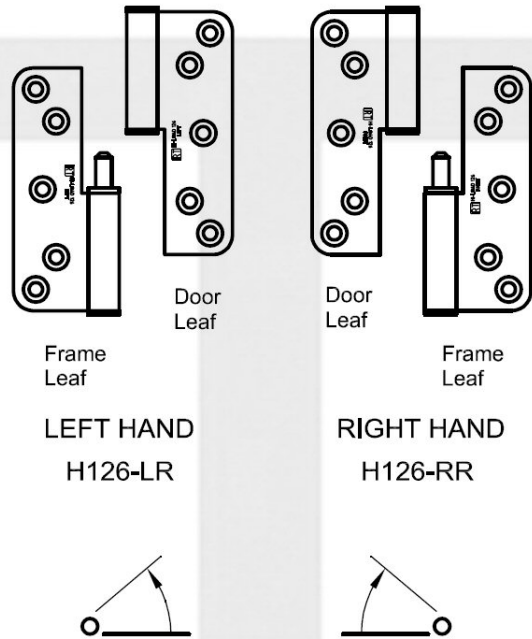
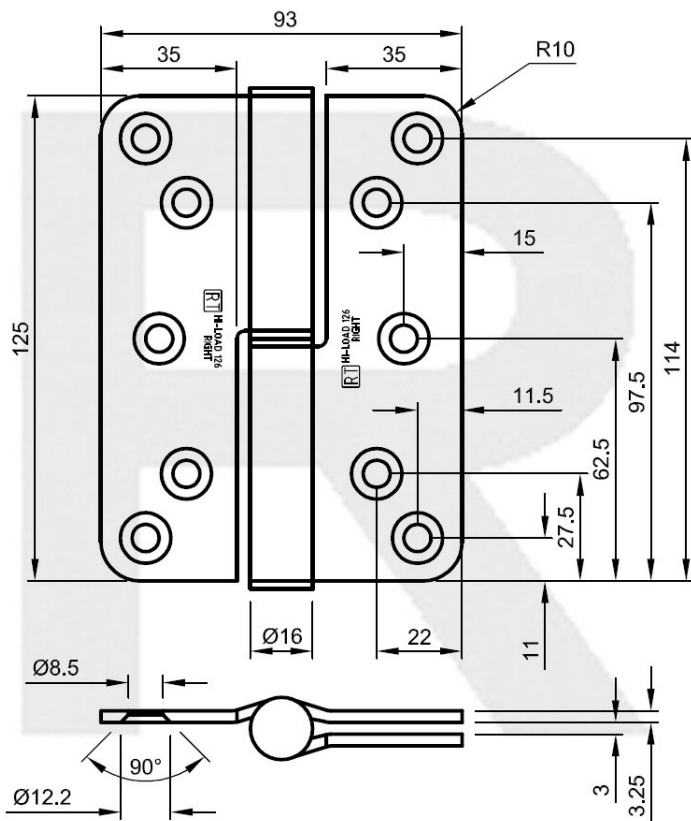
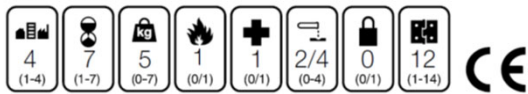


Royde & Tucker H126 HI-LOAD lift-off hinge



BS EN 1935



- 125x93x3.2mm Lift-off hinge
- Maximum adjusted door weight 120kg
- To BS EN 1935 Grade 12
- Minimum door thickness 44mm
- Maintenance free, guaranteed for 25 years
- CE Certificate No. 2812-CPR-AC0064
- To be fitted with HP1254 intumescent hinge pads, if being installed on fire doors
- c/w metric 6 x 32mm wood screws
- Unless stated Mild steel substrate, Grade 304 or 316 stainless steel available

Royde & Tucker Ltd

Bilton Road

Cadwell lane

Hitchin

SG4 0SB

Tel: 01462 444444

Fax: 01462 444433

www.ratman.co.uk

e-mail: sales@ratman.co.uk