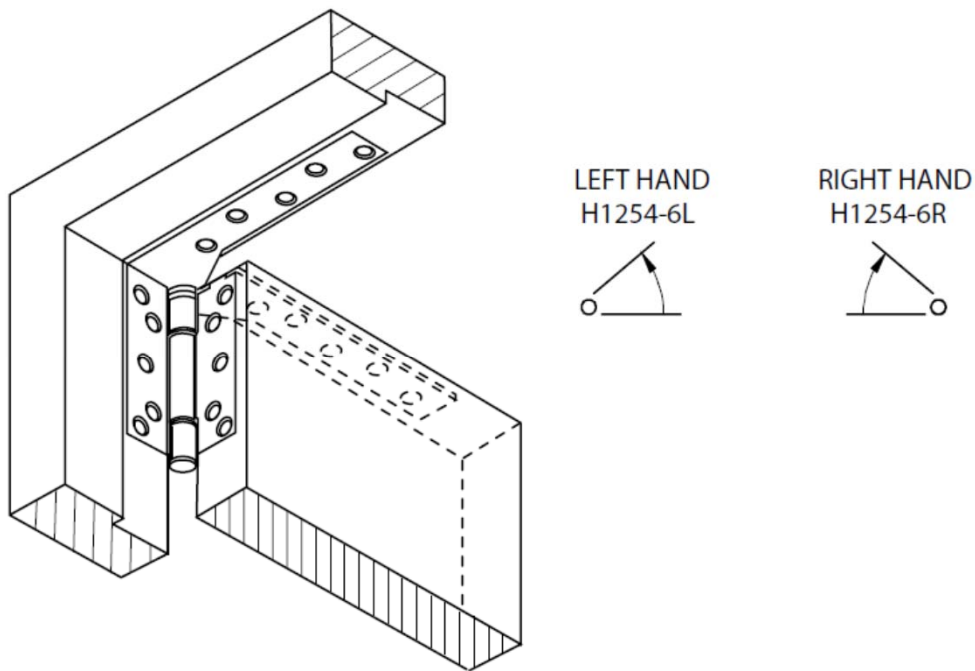


## Royde & Tucker H1254-6 HI-LOAD pivot reinforced hinge



- 125x111x3.25mm Pivot reinforced hinge
- Maximum adjusted door weight 160kg
- Minimum door thickness 44mm
- Maintenance free, guaranteed for 25 years
- c/w metric 6 x 32mm wood screws
- Unless stated Mild steel substrate, Grade 304 or 316 stainless steel available

**Royde & Tucker Ltd**  
Bilton Road  
Cadwell lane  
Hitchin  
SG4 0SB  
Tel: 01462 444444  
Fax: 01462 444433  
[www.ratman.co.uk](http://www.ratman.co.uk)  
e-mail: [sales@ratman.co.uk](mailto:sales@ratman.co.uk)