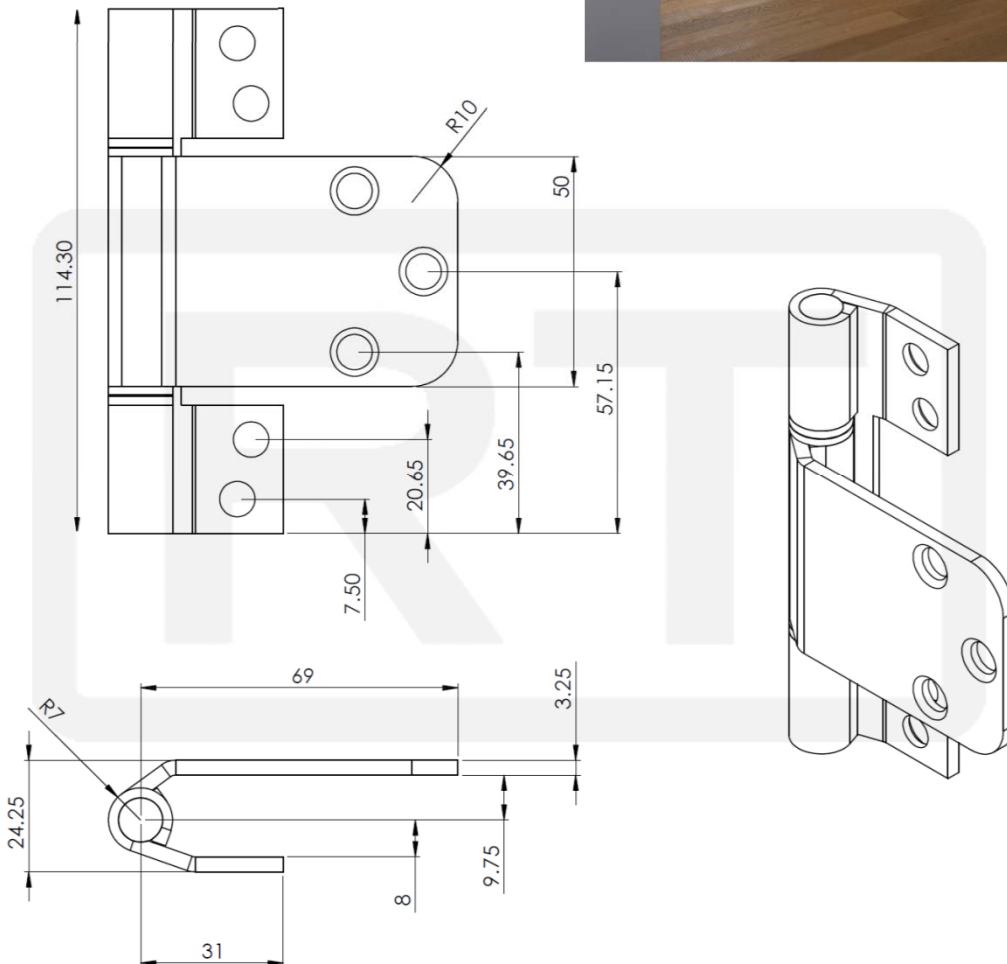


## Royde & Tucker H114 HI-LOAD Cupboard butt hinge

Single Axis Cupboard Hinge for use on full size cupboard or riser doors.  
Allows the door to swing open/closed within its own width without being impeded by adjacent doors.



Patent Applied for



- 114.3x75.5x3mm Three knuckle single axis butt hinge
- Maximum adjusted door weight 80kg
- To suit door thickness 44mm (see page over for setting out)
- Coverplates to conceal mortice joinery included
- Maintenance free, guaranteed for 25 years
- c/w metric 5 x 32mm wood screws
- Grade 304 stainless steel

**Royde & Tucker Ltd**  
Bilton Road  
Cadwell lane  
Hitчин  
SG4 0SB

Tel: 01462 444444

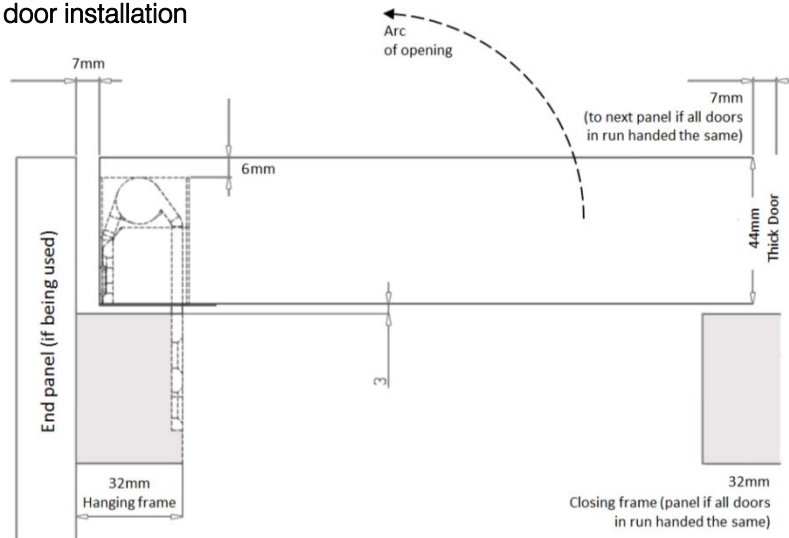
Fax: 01462 444433

[www.ratman.co.uk](http://www.ratman.co.uk)

e-mail: [sales@ratman.co.uk](mailto:sales@ratman.co.uk)

Plan drawings showing H114 concealed hinge on a non fire rated concealed frame and 44mm thick door with path of clearance and door/frame gaps.

### Single door installation

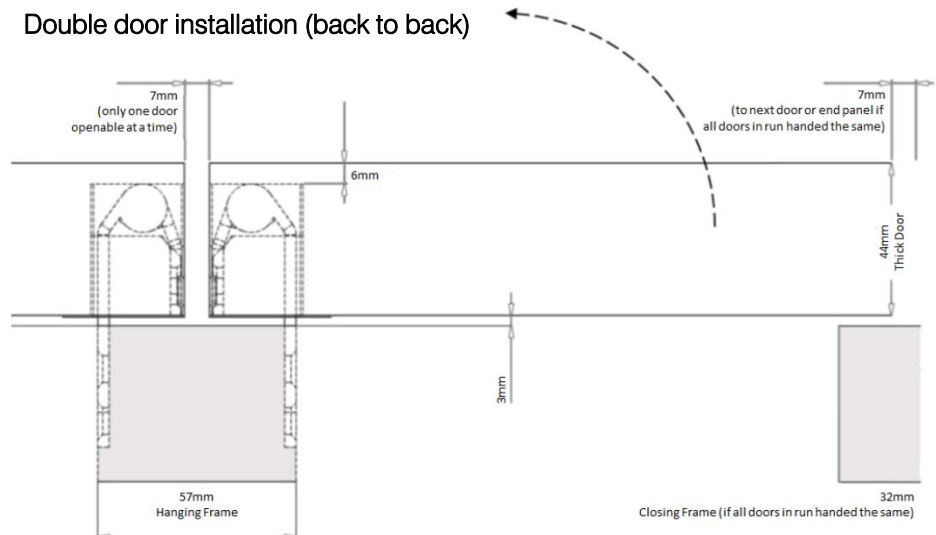


For a bank of doors a 7mm gap can be maintained between all doors.

Nb.1 For back-to-back pairs of doors a 7mm gap results in only one leaf of that pair being openable at a time.

Nb.2 It may also be desirable (for conventional double doors) to rebate the meeting stiles to prevent a line of sight gap between the doors and preserve the 7mm along the entire bank.

### Double door installation (back to back)



### Double door (pairs)

For a pair of conventional double doors an optional rebate to conceal line of sight can be used where no central mullion is desired.

Nb. This sequences the door leaves (primary and secondary leaves)

