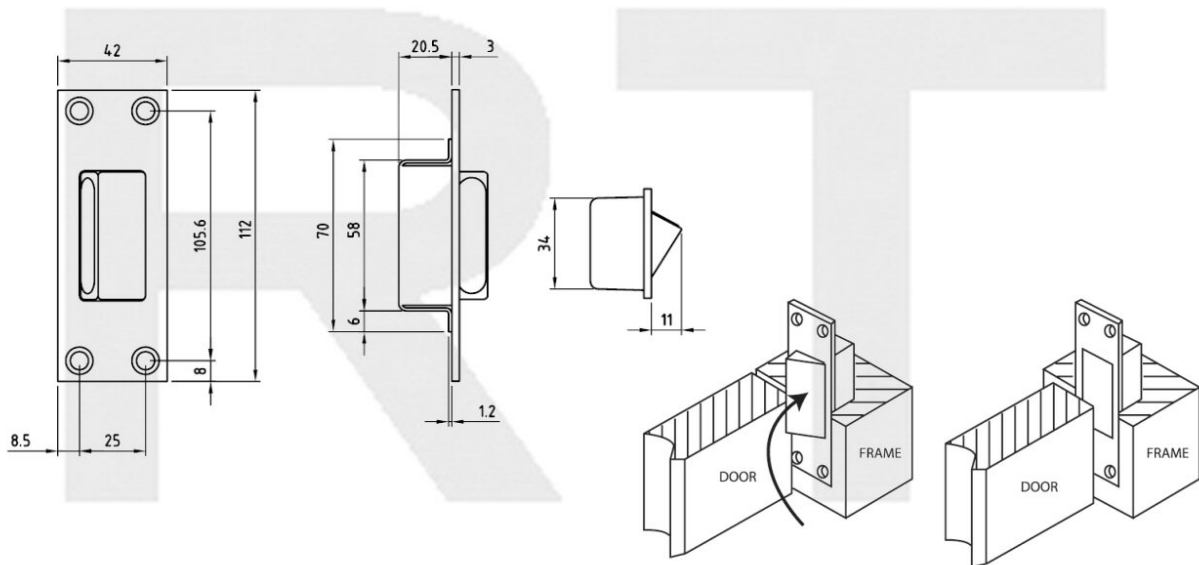
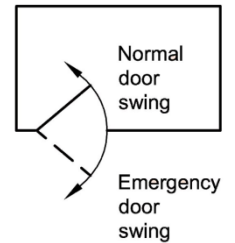


Royde & Tucker H131-105 emergency release door stop



- Grade 304 stainless steel
- Maintenance free, guaranteed for 25 years
- Suitable for use on FD30 and FD60 fire doors
- Allows Double Action doors to operate as single swing when hung on pivots
- Emergency access is gained by depressing the stop and pulling the door outwards
- Stop release resets automatically
- Rubber insert for quieter action

Royde & Tucker Ltd
Bilton Road
Cadwell lane
Hitchin
SG4 0SB

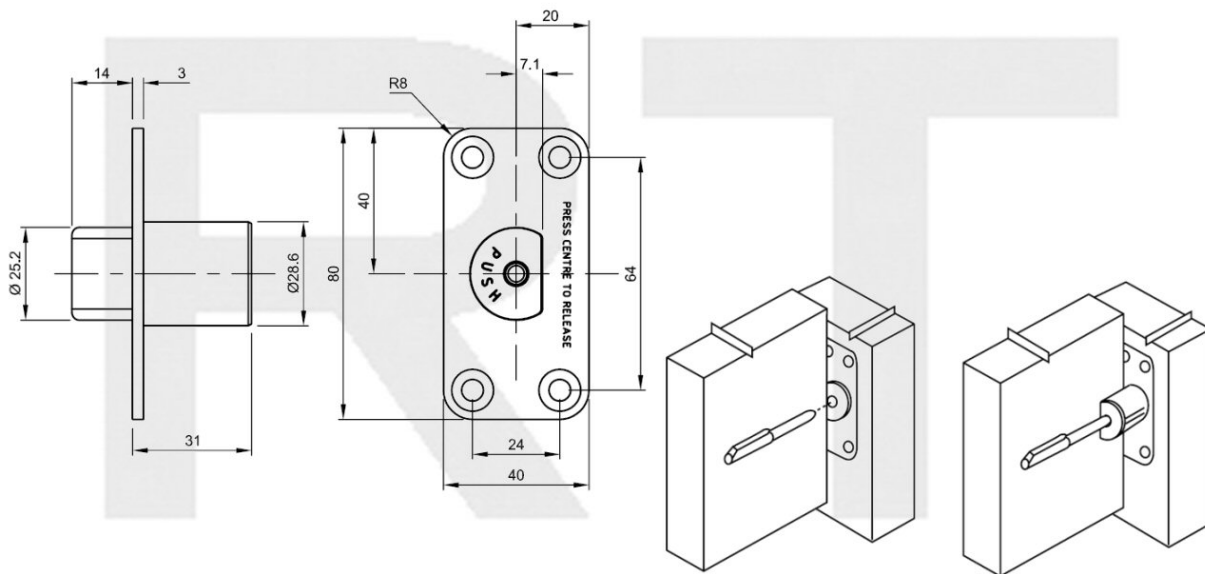
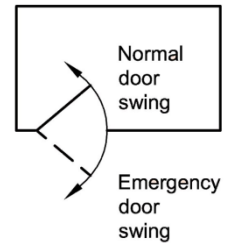
Tel: 01462 444444

Fax: 01462 444433

www.ratman.co.uk

e-mail: sales@ratman.co.uk

Royde & Tucker H131-106 emergency release door stop

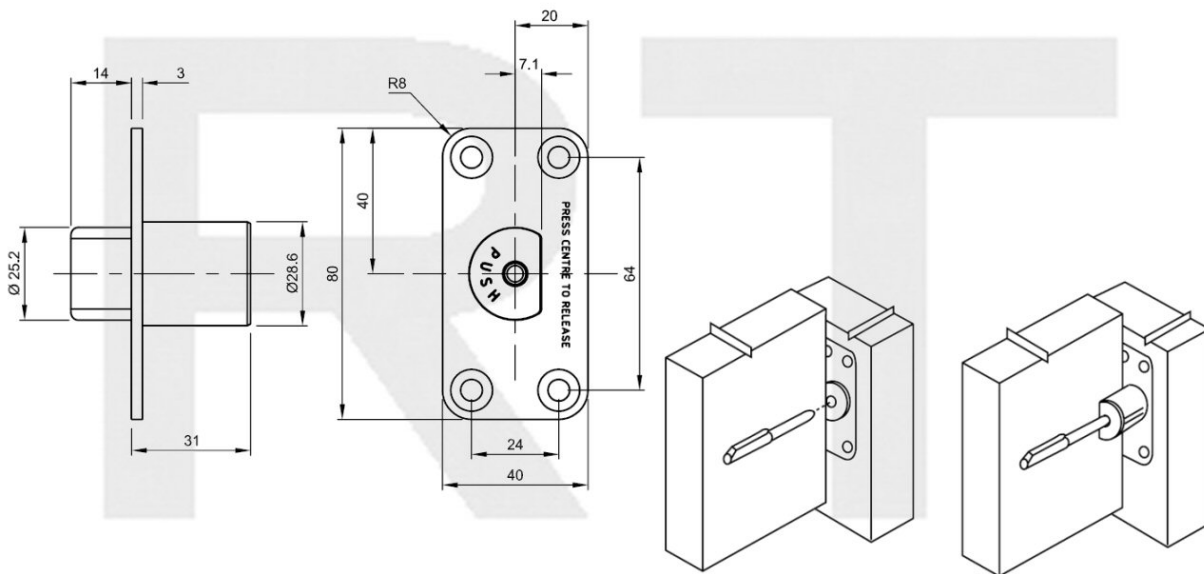
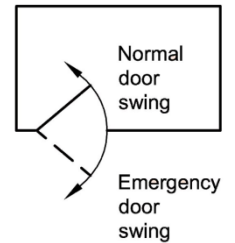


- Grade 304 stainless steel
- Maintenance free, guaranteed for 25 years
- Suitable for use on FD30 and FD60 fire doors
- Allows Double Action doors to operate as single swing when hung on pivots
- Emergency access is gained by depressing the stop and pulling the door outwards
- Stop release resets automatically
- Includes holdback facility
- Complete with M5 x 30mm screws

Note: The unit has an R8 radius for easier installation.

Royde & Tucker Ltd
Bilton Road
Cadwell lane
Hitchin
SG4 0SB
Tel: 01462 444444
Fax: 01462 444433
www.ratman.co.uk
e-mail: sales@ratman.co.uk

Royde & Tucker H131-107 emergency release door stop

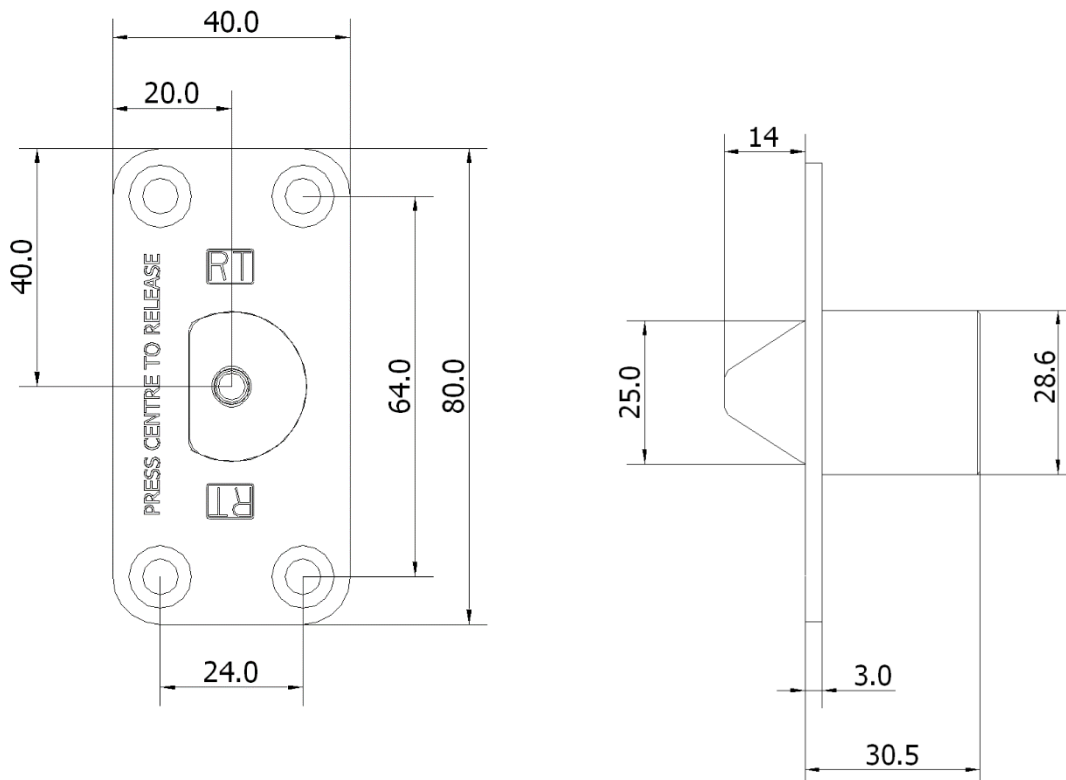
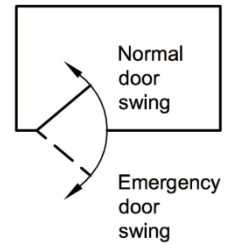


- Grade 304 stainless steel
- Maintenance free, guaranteed for 25 years
- Suitable for use on FD30 and FD60 fire doors
- Allows Double Action doors to operate as single swing when hung on pivots
- Emergency access is gained by depressing the stop and pulling the door outwards
- Stop release resets automatically
- Includes holdback facility
- Complete with M5 x 30mm screws
- Stop can be locked in or out to e.g. prevent tampering

Note: The unit has an R8 radius for easier installation.

Royde & Tucker Ltd
Bilton Road
Cadwell lane
Hitchin
SG4 0SB
Tel: 01462 444444
Fax: 01462 444433
www.ratman.co.uk
e-mail: sales@ratman.co.uk

Royde & Tucker H131-300 emergency release door stop



- Grade 304 stainless steel
- Maintenance free, guaranteed for 25 years
- Approved to TS001 Grade 4 (0.5mm) .
- Suitable for use on FD30 and FD60 fire doors
- Allows Double Action doors to operate as single swing when hung on pivots
- Emergency access is gained by depressing the stop and pulling the door outwards
- Stop release resets automatically
- Includes holdback facility
- Complete with M5 x 30mm screws
- Stop can be locked in or out to e.g. prevent tampering

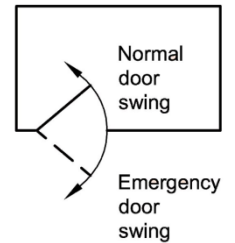
Note: The unit has an R8 radius for easier installation.

Royde & Tucker Ltd
Bilton Road
Cadwell lane
Hitchin
SG4 0SB
Tel:01462 444444
Fax:01462 444433
www.ratman.co.uk
e-mail: sales@ratman.co.uk

Parts as follows:

1-off: DOUBLE ACTION EMERGENCY RELEASE

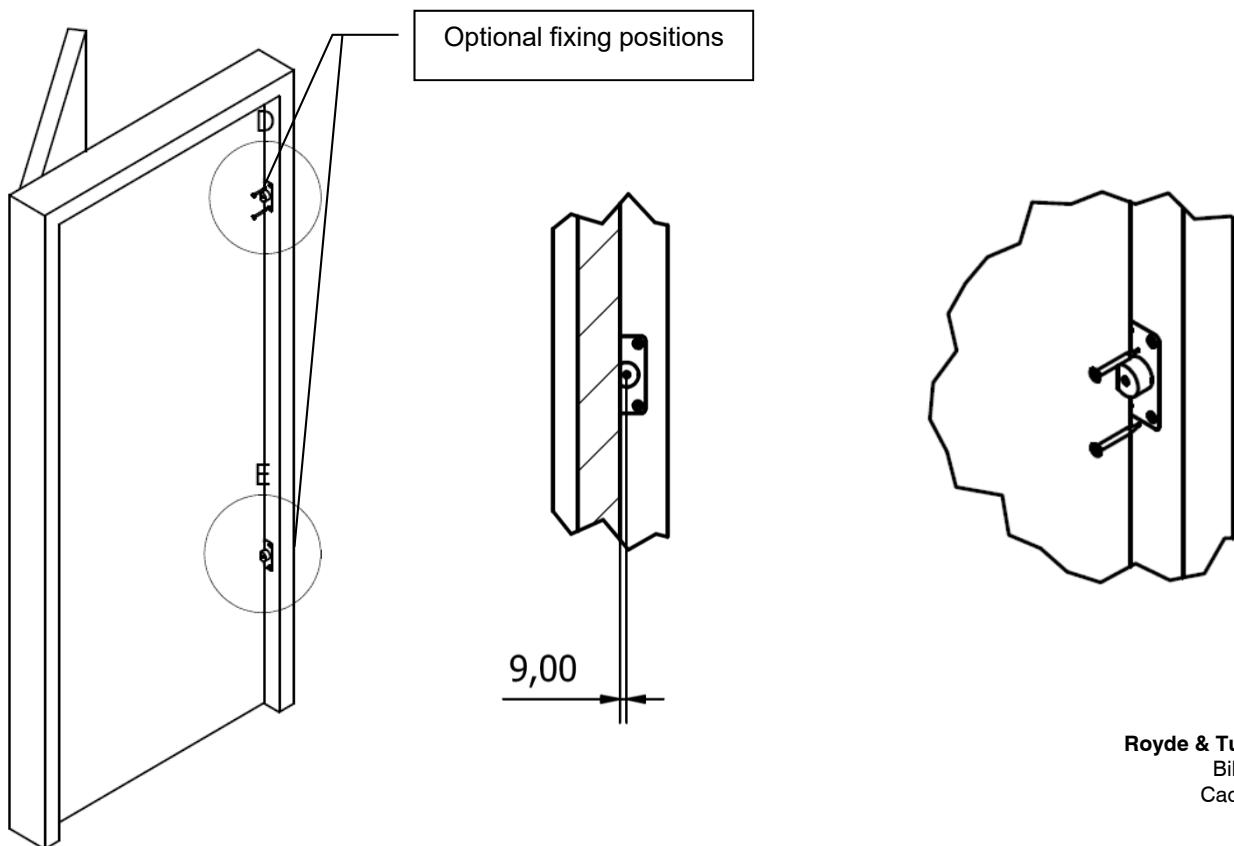
4-off: 1-1/4" x No 10 WOODSCREWS.



FITTING INSTRUCTIONS.

1. DECIDE ON A POSITION FOR THE EMERGENCY STOP ON THE DOOR FRAME. SEE DIAGRAM POSITIONS D & E FOR TYPICAL INSTALLATION POSITIONS
2. FIT EMERGENCY STOP SO THAT THE FLAT EDGE IS FLUSH AGAINST THE DOOR WHEN THE DOOR IS FULLY CLOSED AND ALLOWS THE LOCK/LATCHBOLTS TO DEPLOY WITHIN THE STRIKEPLATE.

CHECK AND ENSURE SCREW IS FULLY TIGHTENED



Royde & Tucker Ltd
Bilton Road
Cadwell lane
Hitchin
SG4 0SB
Tel: 01462 444444
Fax: 01462 444433
www.ratman.co.uk
e-mail: sales@ratman.co.uk